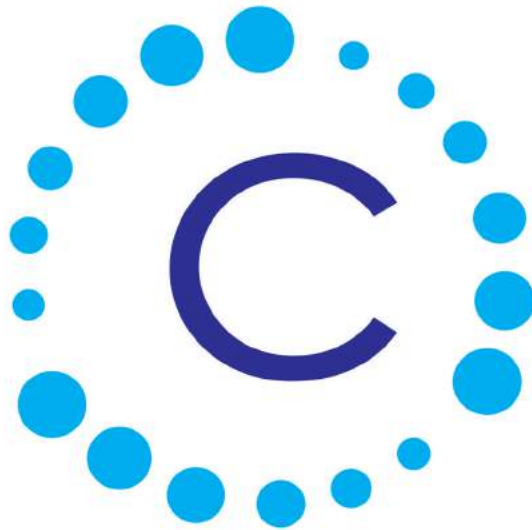


CLARION LIGHTING PRODUCT CATALOGUE

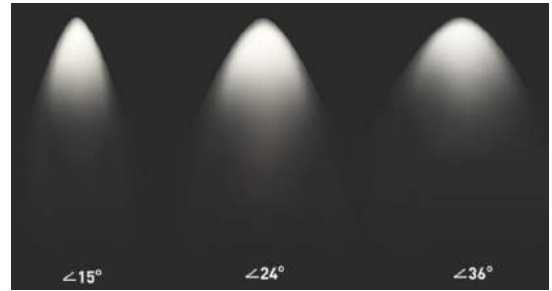
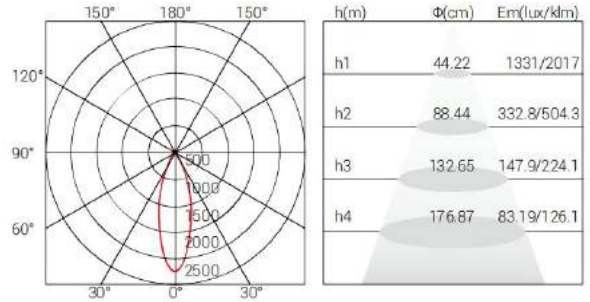
2018-2019



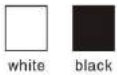
CE

All the light fitting designed and manufactured in accordance with European Standard EN 60598-1 and ICE 598-1. The  mark indicates that the product complies and meets all EU Directives that are applicable.

All rights reserved to Clarion Lighting. No parts of this publication may be reproduced, stored in any retrieval system, or transmitted in any form or by any means, electronic, mechanical, photocopying, recording or otherwise, without the prior consent of the copyright owner.



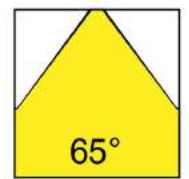
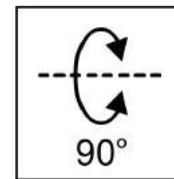
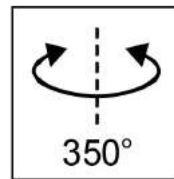
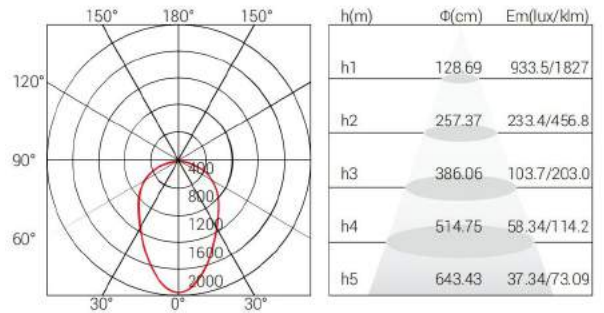
Finishing Color



Model Code	CL-TR6-06	CL-TR6-12
Power	6W	12W
Size:	62*26*204mm	116*26*133mm
Cut out	Track	Track
Light Source	CREE XPE	CREE XPE
Optical	Lens	Lens

UGR	<25	<25
Fliker<15%	√	√
Beam angle	15°24°/36°	15°24°/40°

CCT	3000K/4000K/6000K	
Lumens	480lm	960lm
Power Factor	0.95	0.95
Efficiency	80%	80%
Lifespan	50000h	40000h
Input Voltage	AC85-265V	AC85-265V
IP	20	20
Driver	Lifud	Lifud
Material	Alu	Alu



Finishing Color

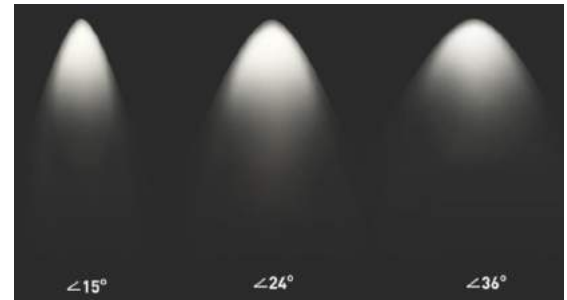
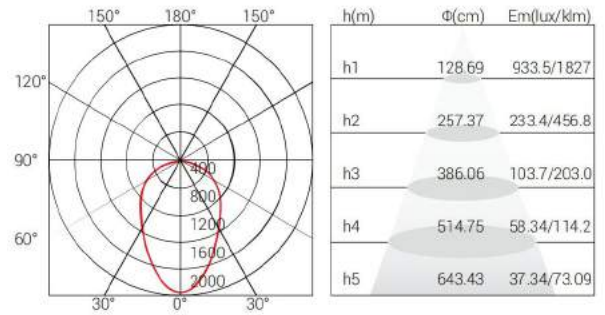


Model Code	CL-TR 830
Power	30W
Size:	155*40*180mm
Cut out	Track
Light Source	CREE XPE / OSRAM 3030
Optical	Lens

UGR	<25
Fliker<15%	√
Beam angle	65°

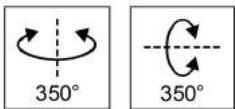
CCT	3000K/4000K/6000K
Lumens	2400lm
Power Factor	0.95
Efficiency	80%
Lifespan	50000h
Input Voltage	AC85-265V
IP	20
Driver	Lifud
Material	Alu



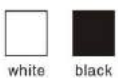


Model Code	CL-TP - 739
Power	18W
Size:	Φ70*H250mm
Cut out	by Track and Surface Mounted
Light Source	Luminus / CREE
Optical	Lens

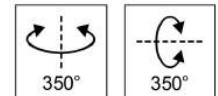
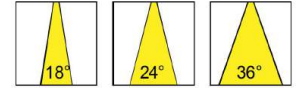
UGR	<19
Fliker<15%	√
Beam angle	15°/24°/36°



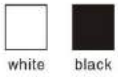
Finishing Color



CCT	3000K/4000K/6000K
Lumens	1450lm
Power Factor	0.95
Efficiency	80%
Lifespan	50000h
Input Voltage	AC85-265V
IP	20
Driver	Lifud
Material	Aluminum

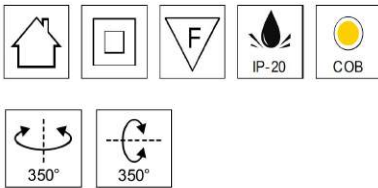


Finishing Color

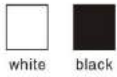


Model Code	CL-TP 788	UGR	<16	Input Voltage	AC85-265V
Power	15W	Fliker	<15%	Driver	Eaglerise / Lifud
Size:	60*60*180mm	Beam angle	18° / 24° / 36°	IP	20
Cut out	Led track and Surface mounted	CCT	3000K/4000K/6000K	Material	Aluminium
Light Source	Luminus / CREE	Power Factor	0.95	Lifespan	50000h
Optical	Lens	Efficiency	80%		

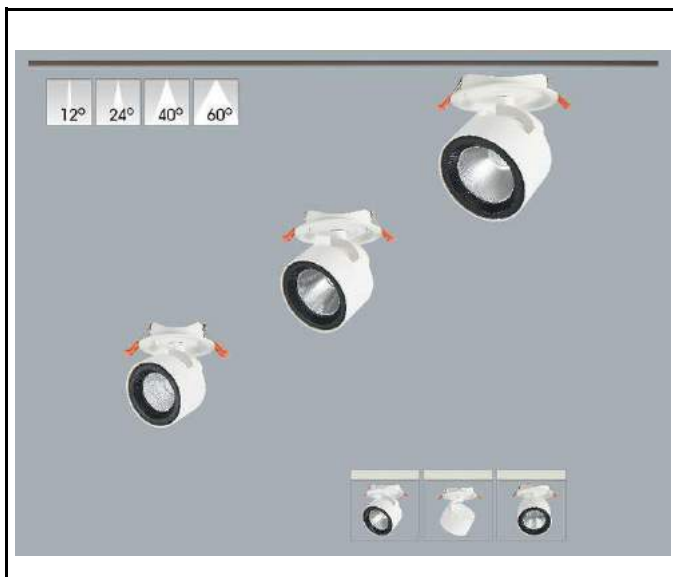


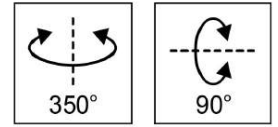


Finishing Color

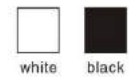


Model Code	CL-015 / CL-20 / CL-30	UGR	< 22	Input Voltage	AC85-265V
Power	15W / 20W / 30W	Fliker	<15%	Driver	Eaglerise / Lifud
Size:	Φ85*52 / Φ102*64 / Φ122*75 mm	Beam angle	12° / 24° / 40° / 60°	IP	20
Cut out	Led track and recessed	CCT	3000K/4000K/6000K	Material	Aluminium
Light Source	Luminus / CREE	Power Factor	0.95	Lifespan	50000h
Optical	Lens	Efficiency	80%		

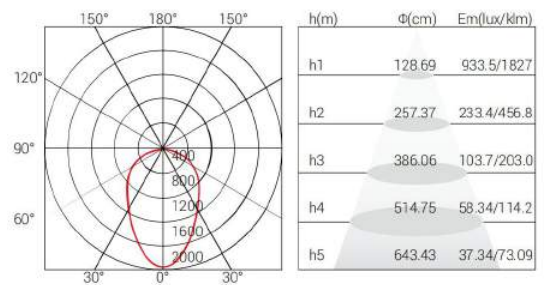
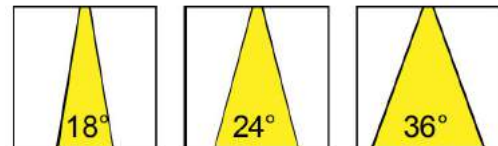
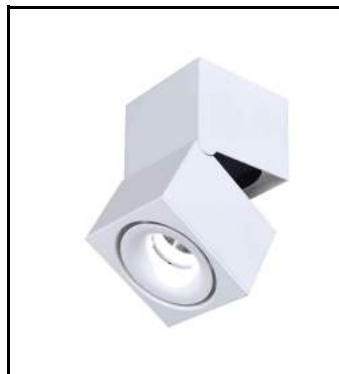


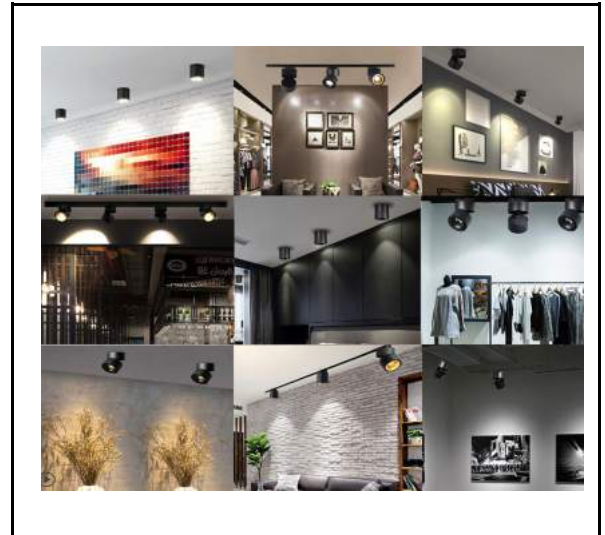


Finishing Color

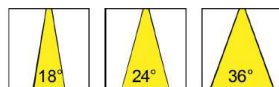
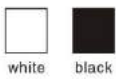


Model Code	CL-ZH - H12S	UGR	<19	Input Voltage	AC85-265V
Power	12W	Fliker<15%	√	Driver	Eaglerise / Lifud
Size:	100*H100mm	Beam angle	18°/ 24°/ 36°	IP	20
Cut out	Led track and Surface mounted	CCT	3000K/4000K/6000K	Material	Aluminium
Light Source	Luminus / CREE	Power Factor	0.95	Lifespan	50000h
Optical	Lens	Efficiency	80%		

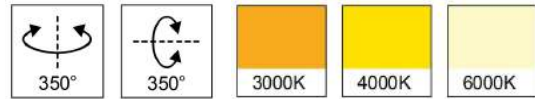
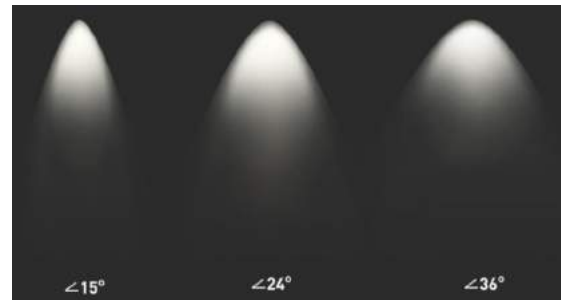
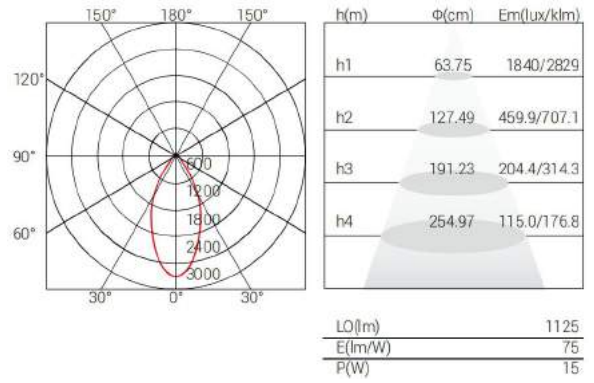




Finishing Color



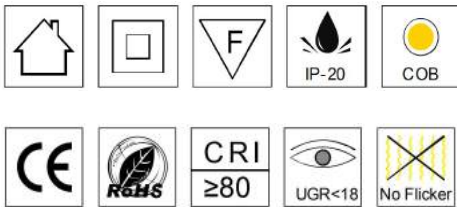
Model Code	CL-ZH - H12	UGR	<19	Input Voltage	AC85-265V
Power	12W	Flicker	<15%	Driver	Eaglerise / Lifud
Size:	Φ100*H100mm	Beam angle	18° / 24° / 36°	IP	20
Cut out	Led track and Surface mounted	CCT	3000K/4000K/6000K	Material	Aluminium
Light Source	Luminus / CREE	Power Factor	0.95	Lifespan	50000h
Optical	Lens	Efficiency	80%		



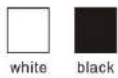
Model Code	CL-ZK - 802
Power	14W
Size:	Φ47*140*125mm
Cut out	Track
Light Source	Luminus / CREE
Optical	Lens

UGR	<18
Fliker<15%	√
Beam angle	18° / 24° / 36°

CCT	3000K/4000K/6000K
Lumens	1125lm
Power Factor	0.95
Efficiency	80%
Lifespan	50000h
Input Voltage	AC85-265V
IP	20
Driver	
Material	Aluminium

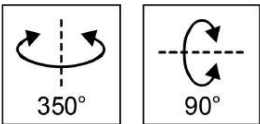


Finishing Color

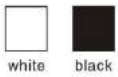




Model Code	CL-ZH - 805B	UGR	<19	Input Voltage	AC85-265V
Power	7W	Fliker	<15%	Driver	Eaglerise / Lifud
Size:	Φ55*280mm	Beam angle	18° / 24° / 36°	IP	20
Cut out	Led track and Surface mounted	CCT	3000K/4000K/6000K	Material	Aluminium
Light Source	Luminus / CREE	Power Factor	0.95	Lifespan	50000h
Optical	Lens	Efficiency	80%		



Finishing Color

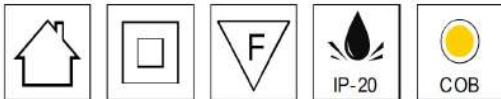




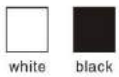
Dimmable

**Beam Angle Adjustable 10~70°
25 W**

Model Code	CL-T - A 825	UGR	<25	Input Voltage	AC85-265V
Power	25W	Fliker	<15%	Driver	Dimmable
Size:	Φ55*280mm	Beam angle	10°-70°	IP	20
Cut out	Led track	CCT	3000K/4000K/6000K	Material	Aluminium
Light Source	Luminus / CREE	Power Factor	0.95	Lifespan	50000h
Optical	Lens	Efficiency	80%		



Finishing Color





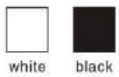
Dimmable

Beam angle Adjustable 10~70°

Model Code	CL-TP - B 835	UGR	<25	Input Voltage	AC85-265V
Power	30W	Fliker<15%	√	Driver	Dimmable
Size:	Φ90*H216mm	Beam angle	10°-70°	IP	20
Cut out	Led track	CCT	3000K/4000K/6000K	Material	Aluminium
Light Source	Luminus / CREE	Power Factor	0.95	Lifespan	50000h
Optical	Lens	Efficiency	80%		

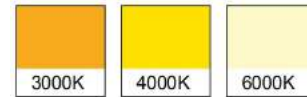
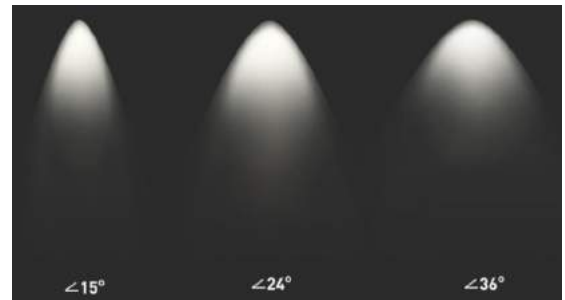
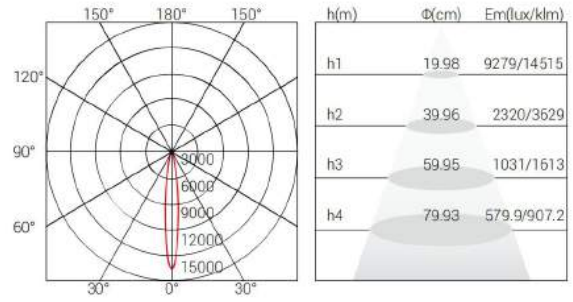


Finishing Color





- Patentable structure design: suitable for somewhere ceiling is made by cement your ceiling inner is narrow for a lamp.
- Anti-glare Design: Utilize the black light technology to restrain effectively the glare for improving the satisfaction of lighting environment.
- Neutral cylindrical shape design made by aluminum show a natural and understated luxury appearance.
- Well Adaption: Surface Mounted Led Downlight with high Brightness easier to make integration with ambient environment



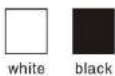
Model Code	CL-ZT - 807 /CL- ZT - 810 /CL- ZT - 815
Power	7W / 10W / 15W
Size:	Φ60*H200mm / H300mm / H600mm
Cut out	Surface Mounted and Hanging
Light Source	Luminus / CREE
Optical	Lens

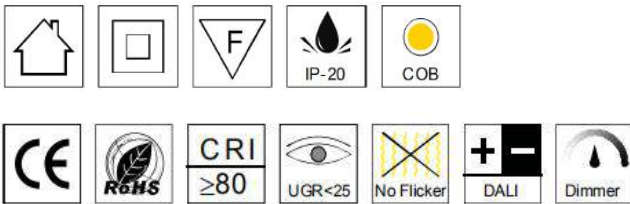
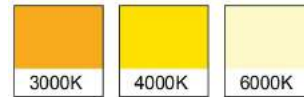
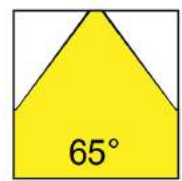
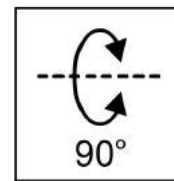
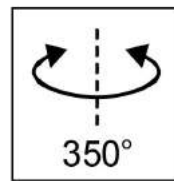
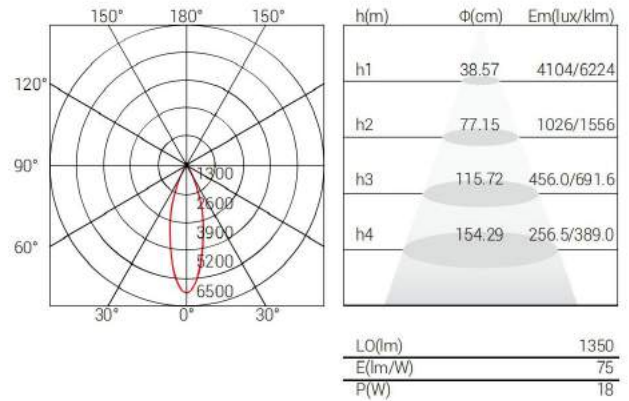
UGR	<18
Fliker<15%	√
Beam angle	18° / 24° / 36°

CCT	3000K/4000K/6000K
Lumens	560lm /800lm /1200lm
Power Factor	0.95
Efficiency	80%
Lifespan	50000h
Input Voltage	AC85-265V
IP	20
Driver	Eaglerise / Lifud
Material	Aluminium



Finishing Color





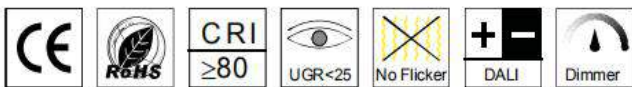
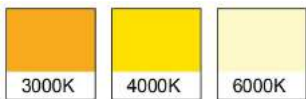
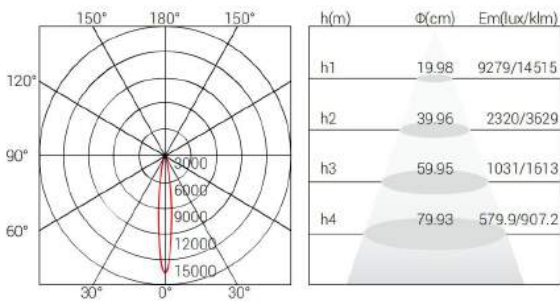
Finishing Color



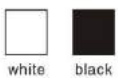
Model Code	CL-PH-07 /CL- PH-12 /CL- PH-18
Power	7W / 12W / 18W
Size:	ΦΦ60*H200mm / H300mm / H600mm
Cut out	Surface Mounted and Hanging
Light Source	Luminus / CREE
Optical	Lens

UGR	<25
Fliker<15%	√
Beam angle	45° / 65°

CCT	3000K/4000K/6000K
Lumens	560lm /960lm /1450lm
Power Factor	0.95
Efficiency	80%
Lifespan	50000h
Input Voltage	AC85-265V
IP	20
Driver	Eaglerise / Lifud
Material	Aluminium



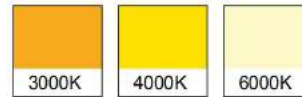
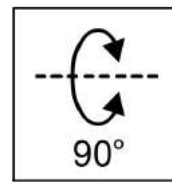
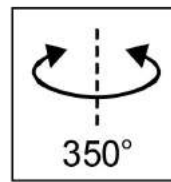
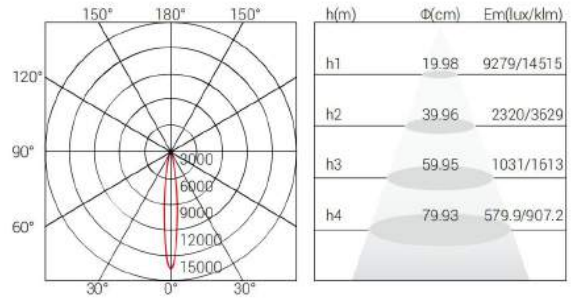
Finishing Color



Model Code	CL-S-508
Power	7W
Size:	75*75*100
Cut out	Surface Mounted
Light Source	Luminus / CREE
Optical	Lens

UGR	<25
Fliker<15%	√
Beam angle	15° / 24° / 36°

CCT	3000K/4000K/6000K
Lumens	560lm
Power Factor	0.95
Efficiency	80%
Lifespan	50000h
Input Voltage	AC85-265V
IP	20
Driver	Eaglerise / Lifud
Material	Aluminium



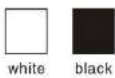
Model Code	CL-T - 368
Power	12W
Size:	Φ100*60mm
Cut out	Surface Mounted
Light Source	Luminus / CREE
Optical	Lens

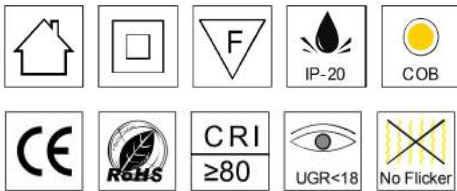
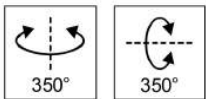
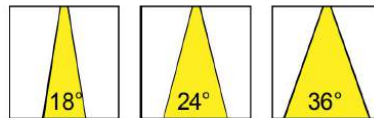
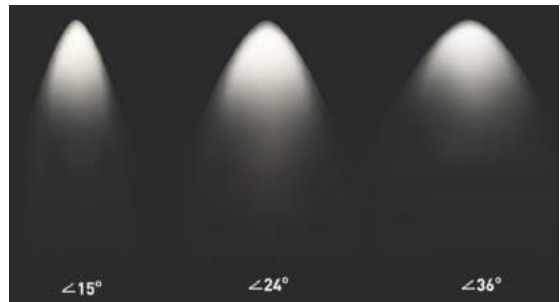
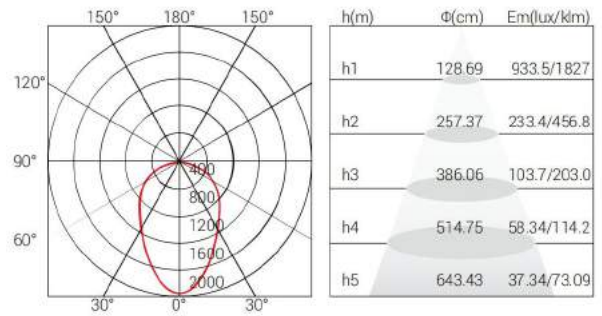
UGR	<25
Fliker<15%	√
Beam angle	45° / 65°

CCT	3000K/4000K/6000K
Lumens	560lm /960lm /1450lm
Power Factor	0.95
Efficiency	80%
Lifespan	50000h
Input Voltage	AC85-265V
IP	20
Driver	Eaglerise / Lifud
Material	Aluminium

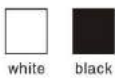


Finishing Color





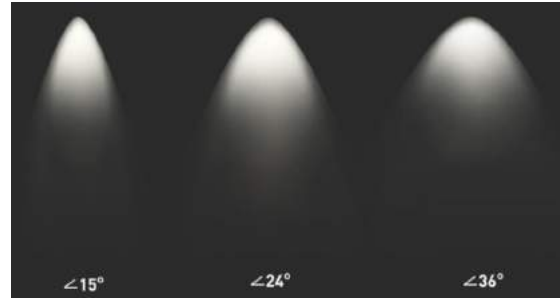
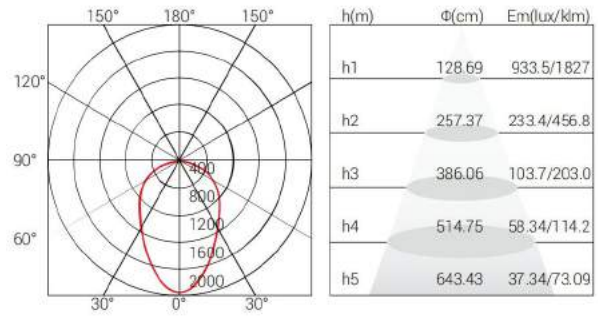
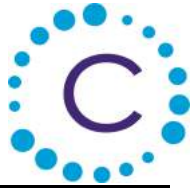
Finishing Color



Model Code	CL-TP - 786
Power	15W
Size:	60*60*H180mm
Cut out	Surface Mounted
Light Source	Luminus / CREE
Optical	Lens

UGR	<18
Fliker<15%	√
Beam angle	18° / 24° / 36°

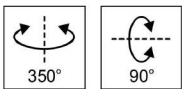
CCT	3000K/4000K/6000K
Lumens	1200lm
Power Factor	0.95
Efficiency	80%
Lifespan	50000h
Input Voltage	AC85-265V
IP	20
Driver	Eaglerise / Lifud
Material	Aluminium



Model Code	CL-T- 365
Power	12W
Size:	Φ100*60mm
Cut out	Surface Mounted
Light Source	Luminus / CREE
Optical	Lens

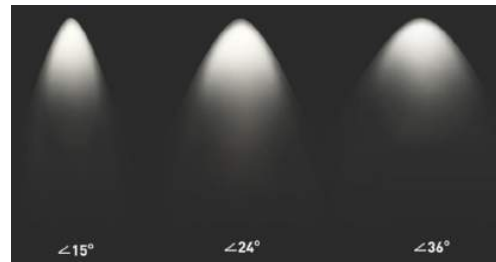
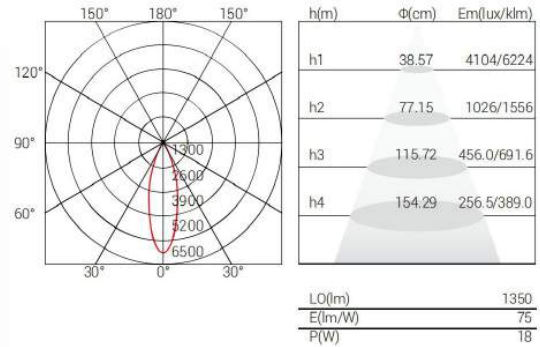
UGR	<18
Fliker<15%	√
Beam angle	45° / 65°

CCT	3000K/4000K/6000K
Lumens	560lm /960lm /1450lm
Power Factor	0.95
Efficiency	80%
Lifespan	50000h
Input Voltage	AC85-265V
IP	20
Driver	Eaglerise / Lifud
Material	Aluminium



Finishing Color

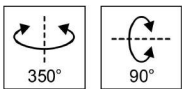




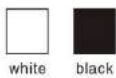
Model Code	CL-TP - 715
Power	20W
Size:	Φ68*H188mm
Cut out	Surface Mounted
Light Source	Luminus / CREE
Optical	Lens

UGR	<25
Fliker<15%	√
Beam angle	18° / 24° / 36°

CCT	3000K/4000K/6000K
Lumens	1600lm
Power Factor	0.95
Efficiency	80%
Lifespan	50000h
Input Voltage	AC85-265V
IP	20
Driver	Eaglerise / Lifud
Material	Aluminium

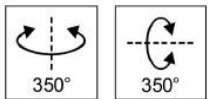


Finishing Color

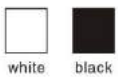


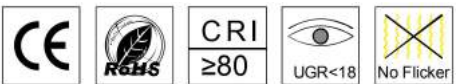
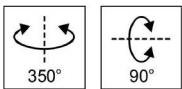
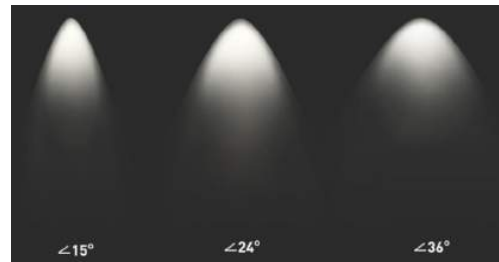
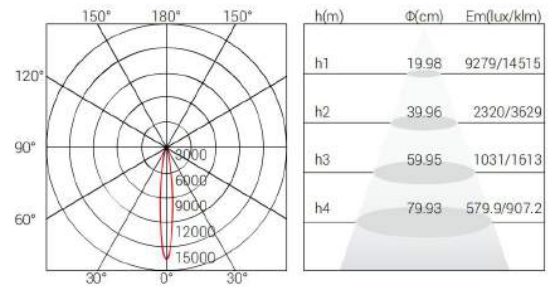


Model Code	CL-TP - 718	UGR	<19	Input Voltage	AC85-265V
Power	18W	Fliker	<15%	Driver	Eaglerise / Lifud
Size:	Φ70*305mm	Beam angle	18° / 24° / 36°	IP	20
Cut out	Surface mounted	CCT	3000K/4000K/6000K	Material	Aluminium
Light Source	Luminus / CREE	Power Factor	0.95	Lifespan	50000h
Optical	Lens	Efficiency	80%		



Finishing Color





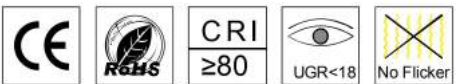
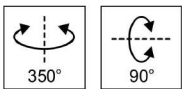
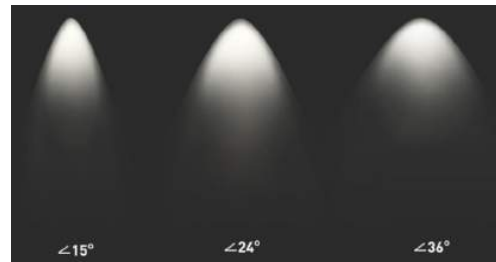
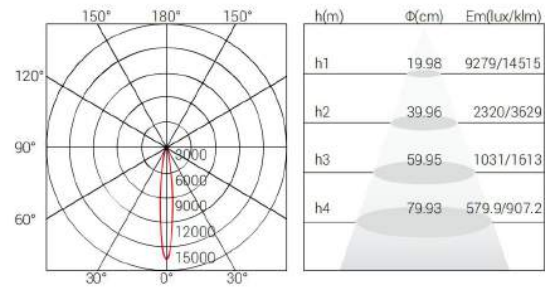
Finishing Color



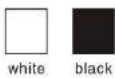
Model Code	CL-HP-0812
Power	7W
Size:	Φ48*150mm
Cut out	Surface Mounted
Light Source	Luminus / CREE
Optical	Lens

UGR	<18
Fliker<15%	√
Beam angle	18° / 24°/36°

CCT	3000K/4000K/6000K
Lumens	560lm
Power Factor	0.95
Efficiency	80%
Lifespan	50000h
Input Voltage	AC85-265V
IP	20
Driver	Eaglerise / Lifud
Material	Aluminium



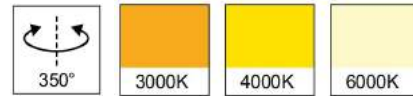
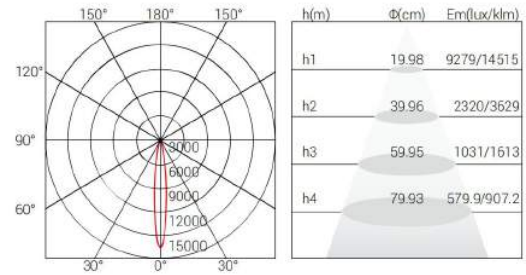
Finishing Color



Model Code	CL-T -012B
Power	12W
Size:	Φ63*H155mm
Cut out	Surface Mounted
Light Source	Luminus / CREE
Optical	Lens

UGR	<18
Fliker<15%	√
Beam angle	18° / 24°/36°

CCT	3000K/4000K/6000K
Lumens	960lm
Power Factor	0.95
Efficiency	80%
Lifespan	50000h
Input Voltage	AC85-265V
IP	20
Driver	Eaglerise / Lifud
Material	Aluminium



Model Code CL-ZH - 809

Power 7W

Size: $\Phi 38 \times 280$ mm

Cut out Surface Mounted

Light Source Luminus / CREE

Optical Lens

UGR <18

Fliker <15% ✓

Beam angle 15°

CCT 3000K/4000K/6000K

Lumens 560lm

Power Factor 0.95

Efficiency 80%

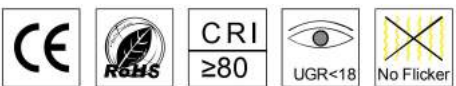
Lifespan 50000h

Input Voltage AC85-265V

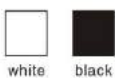
IP 20

Driver Eaglerise / Lifud

Material Aluminium

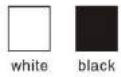


Finishing Color

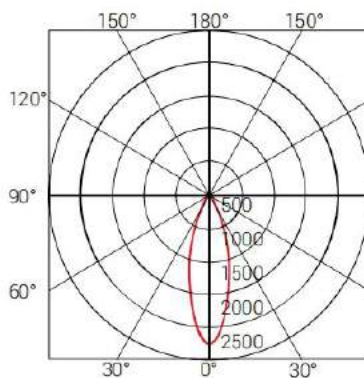




Finishing Color



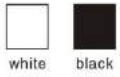
Model Code	CL-F-1009	UGR	<19	Input Voltage	AC85-265V
Power	9W	Fliker	<15%	Driver	Eaglerise
Size:	Φ54*H142mm	Beam angle	18°/ 24°/ 36°	IP	20
Cut out	Surface mounted	CCT	3000K/4000K/6000K	Material	Aluminium
Light Source	Luminus / CREE	Power Factor	0.95	Lifespan	50000h
Optical	Lens	Efficiency	80%		



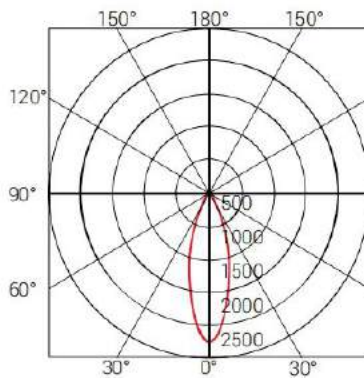
h(m)	Φ(cm)	Em(lux/klm)
h1	43.39	1347/2061
h2	86.79	336.7/515.4
h3	130.18	149.6/229.0
h4	173.58	84.17/128.8
h5	216.97	53.87/82.46



Finishing Color



Model Code	CL-V-007 / CLV- 012	UGR	<19	Input Voltage	AC85-265V
Power	7W / 12W	Fliker<15%	√	Driver	Lifud
Size:	Φ58*H100mm / Φ75*H100mm	Beam angle	18°/ 24°/ 36°	IP	20
Cut out	Surface mounted	CCT	3000K/4000K/6000K	Material	Aluminium
Light Source	Luminus / CREE	Power Factor	0.95	Lifespan	50000h
Optical	Lens	Efficiency	80%		



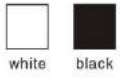
h(m)	Φ(cm)	Em(lux/klm)
h1	43.39	1347/2061
h2	86.79	336.7/515.4
h3	130.18	149.6/229.0
h4	173.58	84.17/128.8
h5	216.97	53.87/82.46



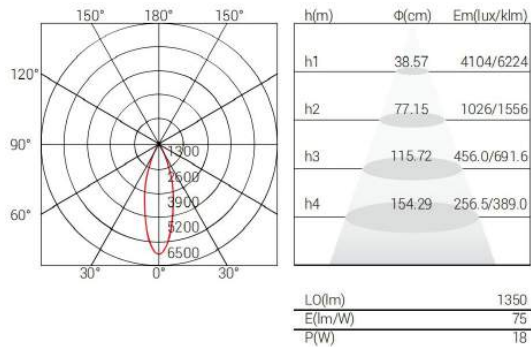
SURFACE DOWNLIGHT



Finishing Color

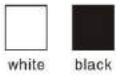


Model Code	CL-F-1015	UGR	<19	Input Voltage	AC85-265V
Power	15W	Fliker	<15%	Driver	Eaglerise / Lifud
Size:	Φ67*H155mm	Beam angle	18°/ 24°/ 36°	IP	20
Cut out	Surface mounted	CCT	3000K/4000K/6000K	Material	Aluminium
Light Source	Luminus / CREE	Power Factor	0.95	Lifespan	50000h
Optical	Lens	Efficiency	80%		

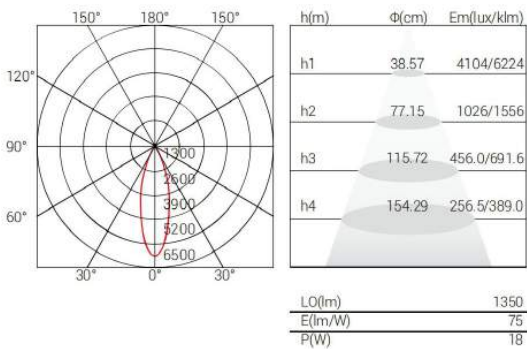




Finishing Color

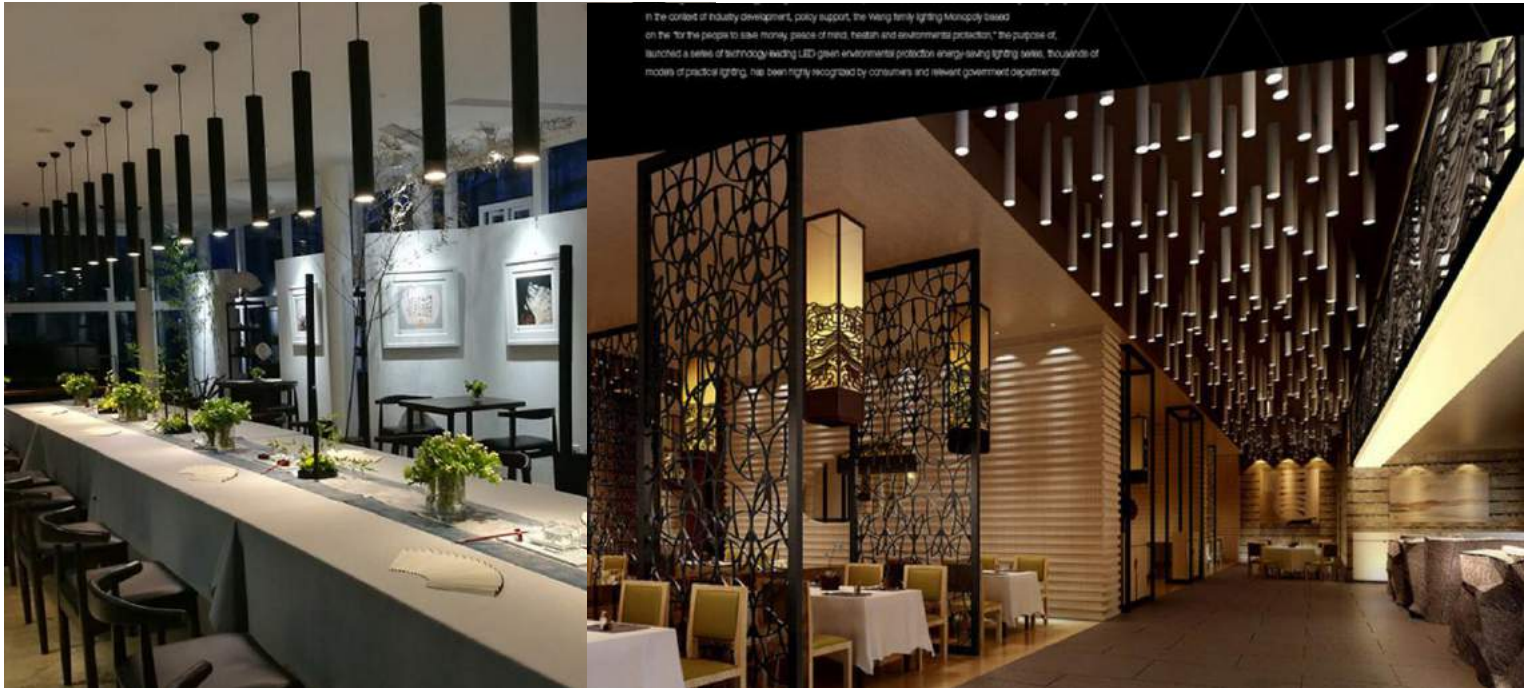


Model Code	CL-E -01007	UGR	<19	Input Voltage	AC85-265V
Power	7W	Fliker<15%	√	Driver	Eaglerise
Size:	Φ54*H120mm	Beam angle	18°/ 24°/ 36°	IP	20
Cut out	Surface mounted	CCT	3000K/4000K/6000K	Material	Aluminium
Light Source	Luminus / CREE	Power Factor	0.95	Lifespan	50000h
Optical	Lens	Efficiency	80%		





SURFACE DOWNLIGHT



In the context of industry development, policy support, the Wang family Lighting Monopoly based on the "for the people to save money, peace of mind, health and environmental protection," the purpose of, launched a series of technology-leading LED green environment protection energy-saving lighting series, thousands of models of practical lighting, has been highly recognized by consumers and relevant government departments.

Model Code	CL-E-01007	UGR	<19	Input Voltage	AC85-265V
Power	7W	Flicker	<15%	Driver	Eaglerise
Size:	Φ54*H120mm	Beam angle	18°/ 24°/ 36°	IP	20
Cut out	Surface mounted and hanging	CCT	3000K/4000K/6000K	Material	Aluminium
Light Source	Luminus / CREE	Power Factor	0.95	Lifespan	50000h
Optical	Lens	Efficiency	80%		

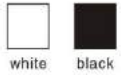


Finishing Color





Finishing Color



Model Code	CL-S10 /CL-20	UGR	<22	Input Voltage	AC85-265V
Power	10W / 20W	Fliker<15%	√	Driver	Eaglerise
Size:	80*80*H85mm / 155*80*85mm	Beam angle	18° / 24° / 36°	IP	20
Cut out	Surface mounted	CCT	3000K/4000K/6000K	Material	Aluminium
Light Source	Luminus / CREE	Power Factor	0.95	Lifespan	50000h
Optical	Lens	Efficiency	80%		



3000K



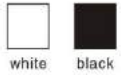
4000K



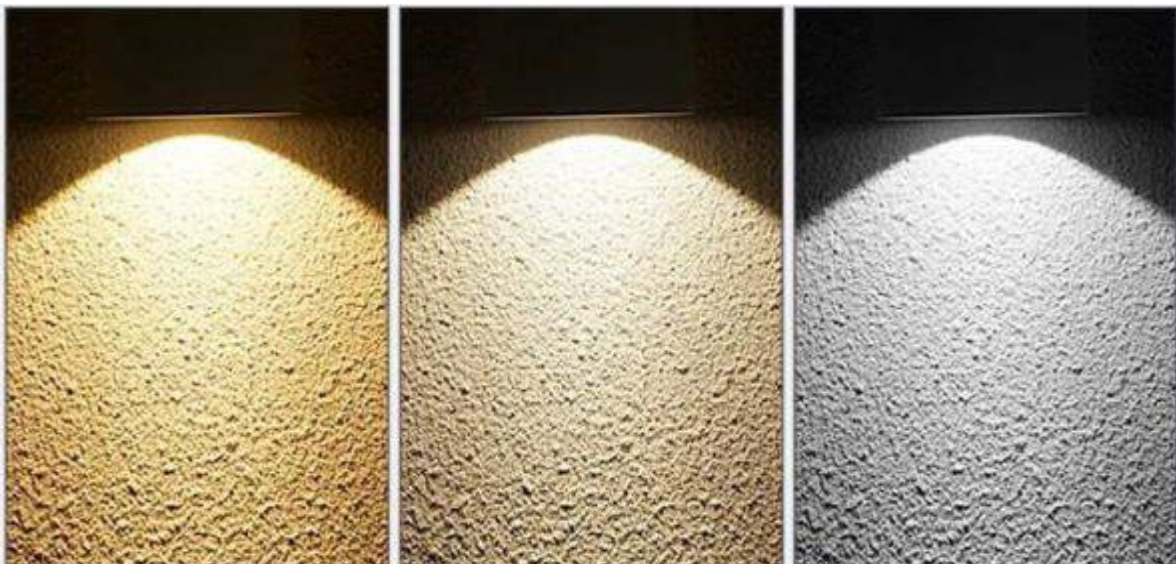
SURFACE DOWNLIGHT



Finishing Color



Model Code	CL-L07 /CL- L14 / CL-L21	UGR	<25	Input Voltage	AC85-265V
Power	7W / 7*2W /7*3W	Fliker<15%	√	Driver	Eaglerise
Size:	100*100/200*100/285*100*H120mm	Beam angle	18° / 24° / 36°	IP	20
Cut out	Surface mounted	CCT	3000K/4000K/6000K	Material	Aluminium
Light Source	Luminus / CREE	Power Factor	0.95	Lifespan	50000h
Optical	Lens	Efficiency	80%		





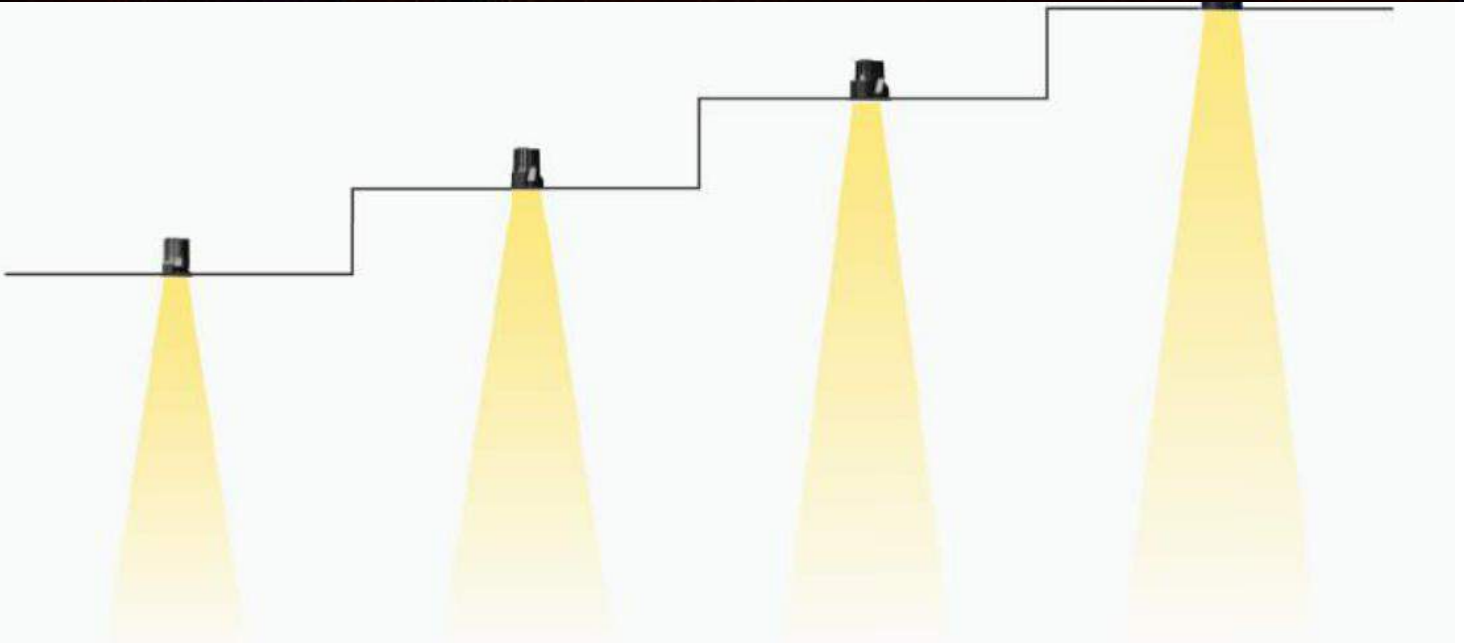
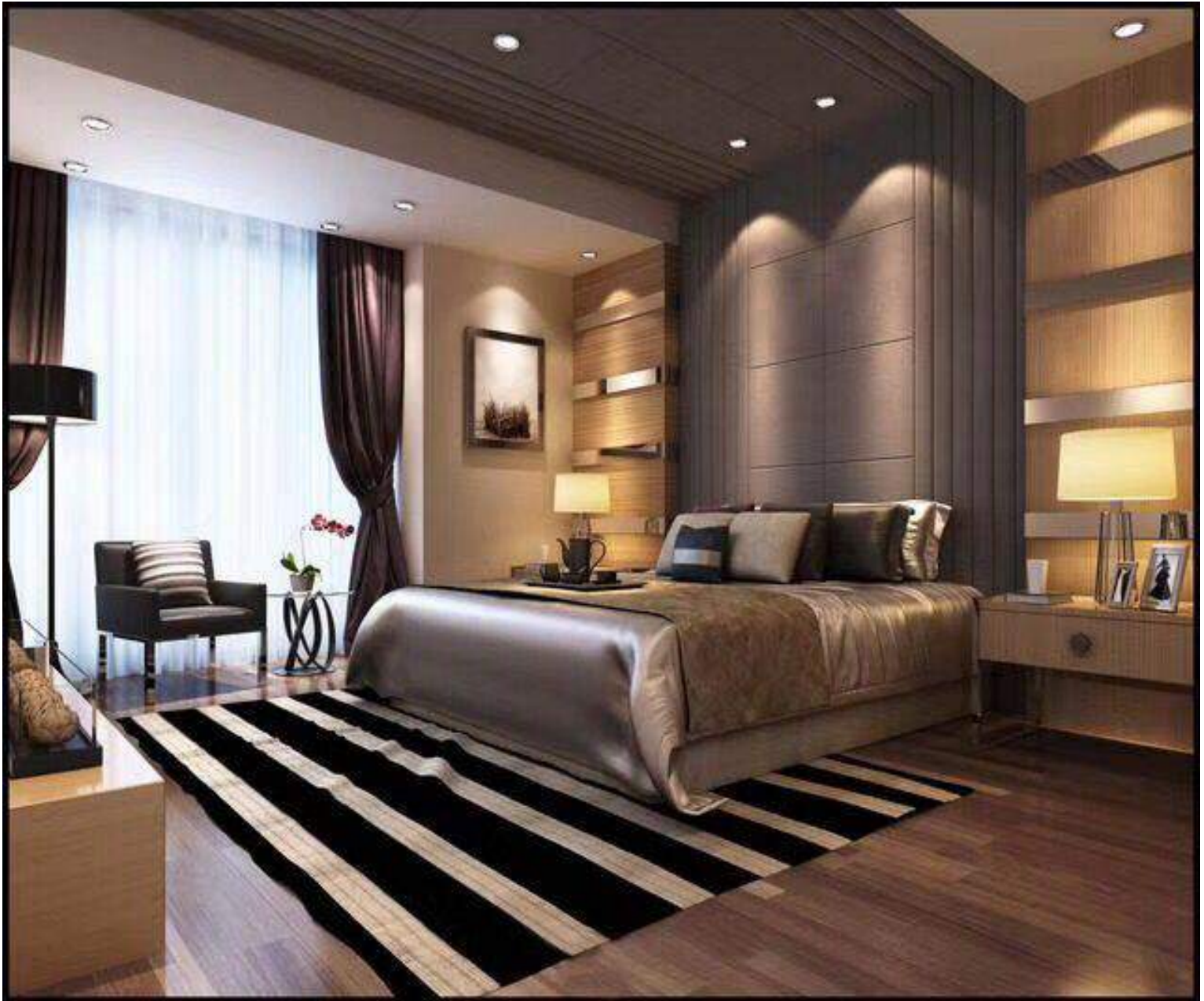
Model Code	CL-RL-010	CL-RL-015	CL-RL-020	CLRL-030
Power	10W	15W	20W	30W
Size:	Φ117*H115mm	Φ138*H115mm	Φ170*H140mm	Φ200*H140mm
Cut out	Surface mounted	Surface mounted	Surface mounted	Surface mounted
Light Source	Luminus / CREE	Luminus / CREE	Luminus / CREE	Luminus / CREE
Optical	Reflector	Reflector	Reflector	Reflector
UGR	<25	<25	<25	<25
Fliker<15%	√	√	√	√
Beam angle	40°	40°	40°	40°
CCT	3000K/4000K/6000K			
Power Factor	0.95	0.95	0.95	0.95
Efficiency	80%	80%	80%	80%
Input Voltage	AC85-265V	AC85-265V	AC85-265V	AC85-265V
Driver	Eaglerise /Lifud	Eaglerise /Lifud	Eaglerise /Lifud	Eaglerise /Lifud
IP	20	20	20	20
Material	Aluminium	Aluminium	Aluminium	Aluminium
Lifespan	50000h	50000h	50000h	50000h



Model Code	CL-SL-010	CL-SL-015	CL-SL-020	CL-SL-030
Power	10W	15W	20W	30W
Size:	80*80*H103mm	100*100*H112mm	120*120*H133mm	150*150*H142mm
Cut out	Surface mounted	Surface mounted	Surface mounted	Surface mounted
Light Source	Luminus / CREE	Luminus / CREE	Luminus / CREE	Luminus / CREE
Optical	Reflector	Reflector	Reflector	Reflector
UGR	<25	<25	<25	<25
Fliker<15%	√	√	√	√
Beam angle	40°	40°	40°	40°
CCT	3000K/4000K/6000K			
Power Factor	0.95	0.95	0.95	0.95
Efficiency	80%	80%	80%	80%
Input Voltage	AC85-265V	AC85-265V	AC85-265V	AC85-265V
Driver	Eaglerise /Lifud	Eaglerise /Lifud	Eaglerise /Lifud	Eaglerise /Lifud
IP	20	20	20	20
Material	Aluminium	Aluminium	Aluminium	Aluminium
Lifespan	50000h	50000h	50000h	50000h

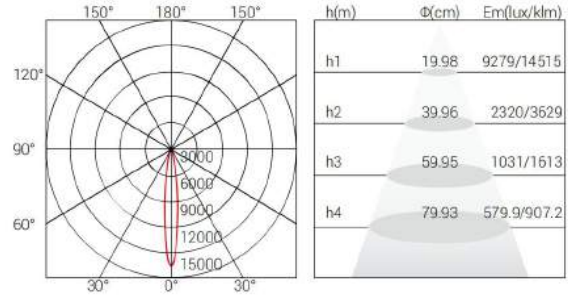


WALL WASHER DOWNLIGHT





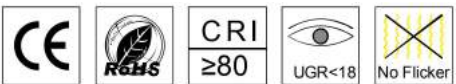
WALL WASHER DOWNLIGHT



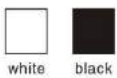
Model Code	CL-L-015
Power	15W
Size:	Φ70*145mm
Cut out	Φ60mm
Light Source	Luminus / CREE
Optical	Lens

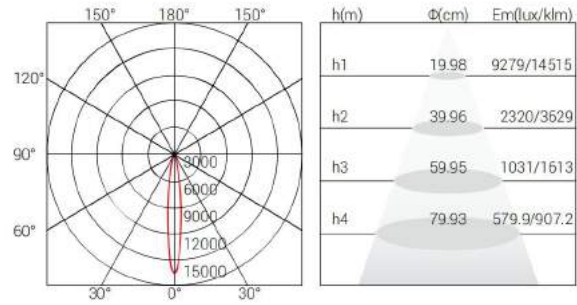
UGR	<18
Fliker<15%	√
Beam angle	18° / 24°/36°

CCT	3000K/4000K/6000K
Lumens	1200lm
Power Factor	0.95
Efficiency	80%
Lifespan	50000h
Input Voltage	AC85-265V
IP	20
Driver	Eaglerise / Lifud
Material	Aluminium



Finishing Color

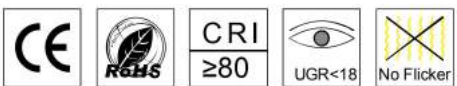




Model Code	CL-H-016
Power	15W
Size:	Φ70*145mm
Cut out	Φ60mm
Light Source	Luminus / CREE
Optical	Lens

UGR	<18
Fliker<15%	√
Beam angle	18° / 24°/36°

CCT	3000K/4000K/6000K
Lumens	1200lm
Power Factor	0.95
Efficiency	80%
Lifespan	50000h
Input Voltage	AC85-265V
IP	20
Driver	Eaglerise / Lifud
Material	Aluminium

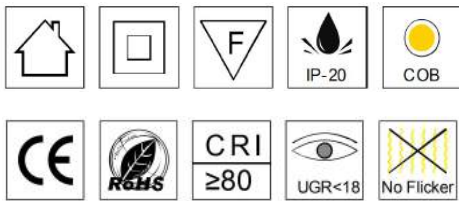
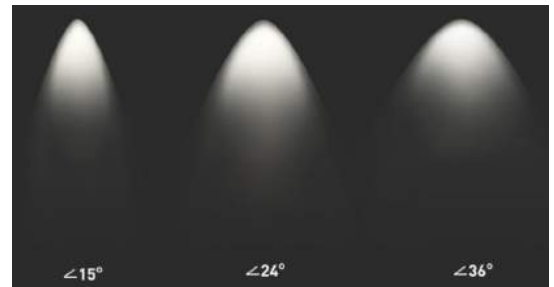
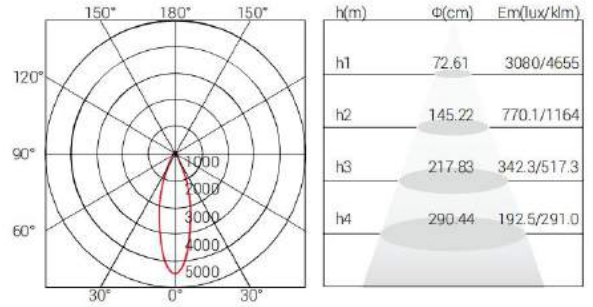


Finishing Color

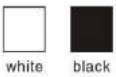




WALL WASHER DOWNLIGHT



Finishing Color



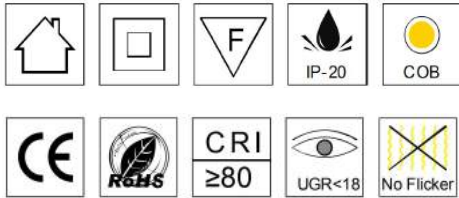
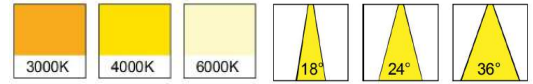
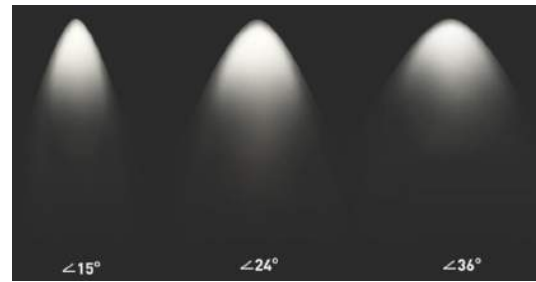
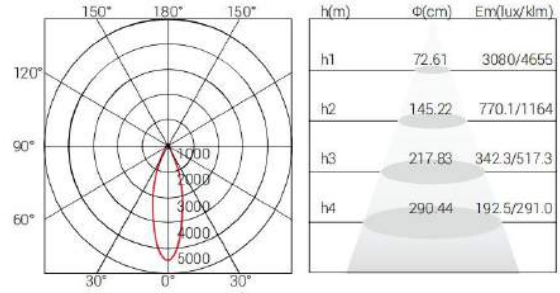
Model Code	CL-Q- 725
Power	25W
Size:	Φ100*155mm
Cut out	Φ90mm
Light Source	Luminus / CREE
Optical	Lens

UGR	<18
Fliker<15%	√
Beam angle	18° / 24°/36°

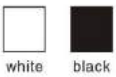
CCT	3000K/4000K/6000K
Lumens	2000lm
Power Factor	0.95
Efficiency	80%
Lifespan	50000h
Input Voltage	AC85-265V
IP	20
Driver	Eaglerise / Lifud
Material	Aluminium



WALL WASHER DOWNLIGHT



Finishing Color



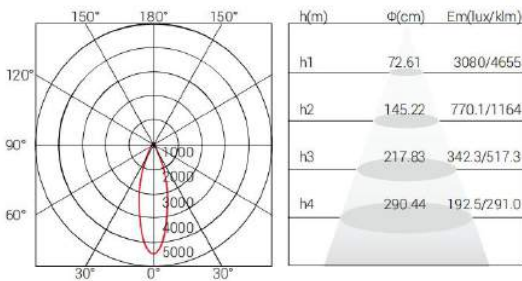
Model Code	CL-Q- 726
Power	25W
Size:	Φ100*155mm
Cut out	Surface Mounted
Light Source	Luminus / CREE
Optical	Lens

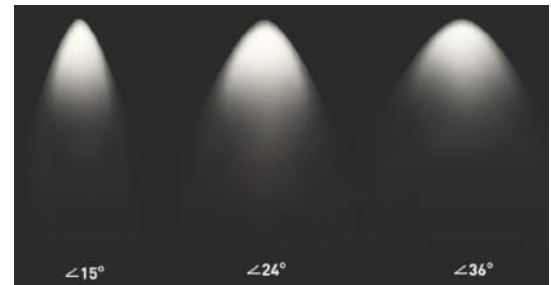
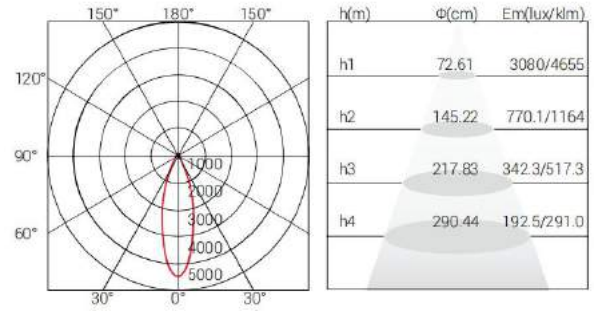
UGR	<18
Fliker<15%	√
Beam angle	18° / 24°/36°

CCT	3000K/4000K/6000K
Lumens	2000lm
Power Factor	0.95
Efficiency	80%
Lifespan	50000h
Input Voltage	AC85-265V
IP	20
Driver	Eaglerise / Lifud
Material	Aluminium

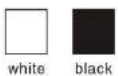


Model Code	CL-A-0H10,CL-A-0H15,CL-A-0H25	UGR	<19	Input Voltage	AC85-265V
Power	10W /15W/25W	Fliker<15%	√	Driver	Eaglerise
Size:	Φ72*H103/ Φ84*H106/Φ103*H115mm	Beam angle	18°/ 24°/ 36°	IP	20
Cut out	Surface mounted and hanging	CCT	3000K/4000K/6000K	Material	Aluminium
Light Source	Luminus / CREE	Power Factor	0.95	Lifespan	50000h
Optical	Lens	Efficiency	80%		





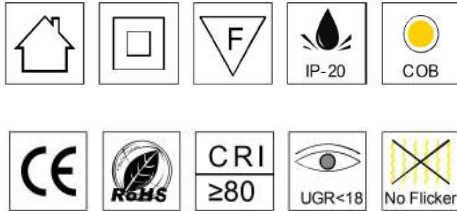
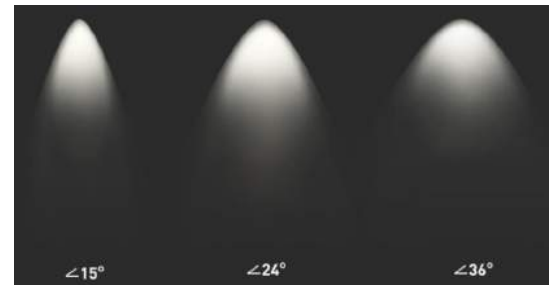
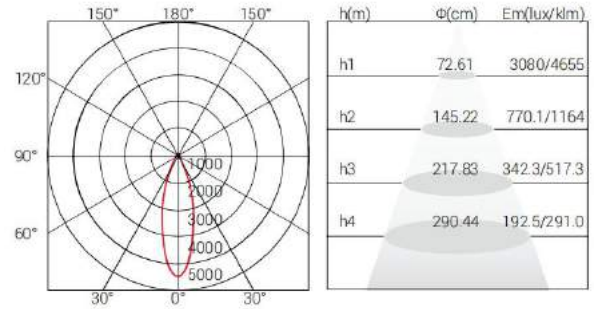
Finishing Color



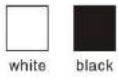
Model Code	CL-TD-010 / CL-TD-015
Power	10W / 15W
Size:	Φ72*H76mm / Φ88*H88mm
Cut out	Φ65mm / Φ80mm
Light Source	Luminus / CREE
Optical	Lens

UGR	<22
Fliker<15%	√
Beam angle	15°/24°/36°

CCT	3000K/4000K/6000K
Lumens	800lm / 1200lm
Power Factor	0.95
Efficiency	80%
Lifespan	50000h
Input Voltage	AC85-265V
IP	20
Driver	Eaglerise / Lifud
Material	Aluminium



Finishing Color



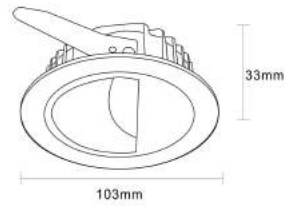
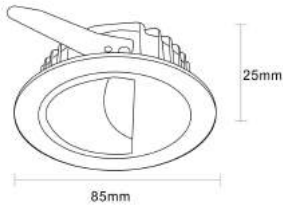
Model Code	CL-TD-010 /CL- TD-015
Power	10W / 15W
Size:	Φ72*H76mm / Φ88*H88mm
Cut out	Φ65mm / Φ80mm
Light Source	Luminus / CREE
Optical	Lens

UGR	<22
Fliker<15%	√
Beam angle	15°/24°/36°

CCT	3000K/4000K/6000K
Lumens	800lm / 1200lm
Power Factor	0.95
Efficiency	80%
Lifespan	50000h
Input Voltage	AC85-265V
IP	20
Driver	Eaglerise / Lifud
Material	Aluminium



WALL WASHER DOWNLIGHT



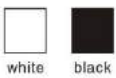
Model Code	CL-E-005 / CL-E-010
Power	5W / 12W
Size:	Φ85*25mm / Φ103*33mm
Cut out	Φ75mm / Φ90mm
Light Source	CREE XPE2-3535
Optical	Lens

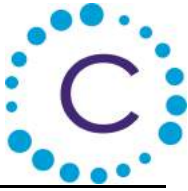
UGR	<22
Fliker<15%	√
Beam angle	39°

CCT	3000K/4000K/6000K
Lumens	100lm / W
Power Factor	0.95
Efficiency	80%
Lifespan	50000h
Input Voltage	AC85-265V
IP	20
Driver	Eaglerise / Lifud
Material	Aluminium

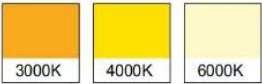


Finishing Color





WALL WASHER DOWNLIGHT



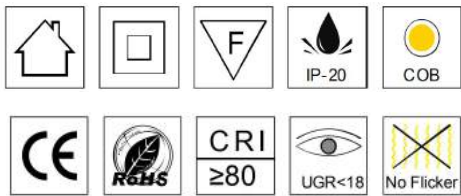
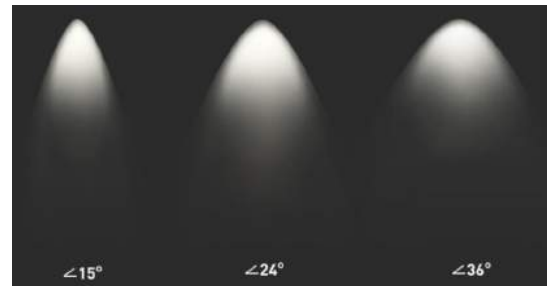
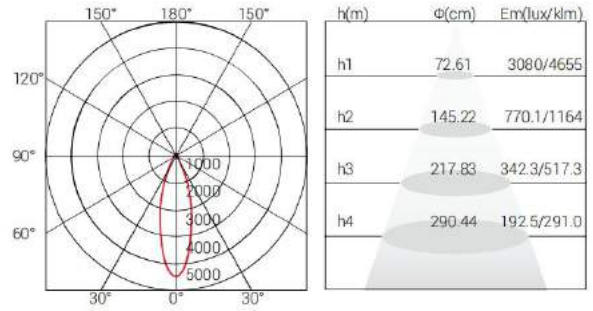
Model Code	CL-KN-012
Power	12W
Size:	88*88mm
Cut out	Φ75mm / Φ90mm
Light Source	CREE XPE2-3535
Optical	Lens

UGR	<22
Fliker<15%	√
Beam angle	18° / 24° / 36°

CCT	3000K/4000K/6000K
Lumens	100lm / W
Power Factor	0.95
Efficiency	80%
Lifespan	50000h
Input Voltage	AC85-265V
IP	20
Driver	Eaglerise / Lifud
Material	Aluminium



WALL WASHER DOWNLIGHT



Finishing Color



Model Code	CL-NT- 05 /CL-NT-10 / CL-NT- 15 /CL- NT 20
Power	5W / 10W / 15W / 20W
Size:	Φ55*H75/Φ75*H106/91*H120mm/Φ128*H130mm
Cut out	Φ50mm / Φ68mm / Φ82mm / Φ118mm
Light Source	Luminus / CREE
Optical	Lens

UGR	<16
Fliker<15%	√
Beam angle	12°/24°/38°

CCT	3000K/4000K/6000K
Lumens	400lm / 800lm / 1200lm/ 1600lm
Power Factor	0.95
Efficiency	80%
Lifespan	50000h
Input Voltage	AC85-265V
IP	20
Driver	Eaglerise / Lifud
Material	Aluminium



WALL WASHER DOWNLIGHT



CL-X- 12A



CL-X- 12C



CL-X- 12D



CL-X- 12E

Model Code	CL-X- 12B	UGR	<19	Input Voltage	AC85-265V
Power	12W	Fliker	<15%	Driver	Eaglerise /Lifud
Size:	Φ90*H120mm	Beam angle	18°/ 24°/ 36°	IP	20
Cut out	Φ80mm	CCT	3000K/4000K/6000K	Material	Aluminium
Light Source	Luminus / CREE	Power Factor	0.95	Lifespan	50000h
Optical	Lens	Efficiency	80%		



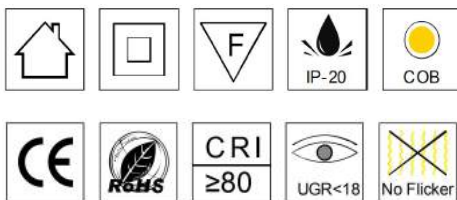
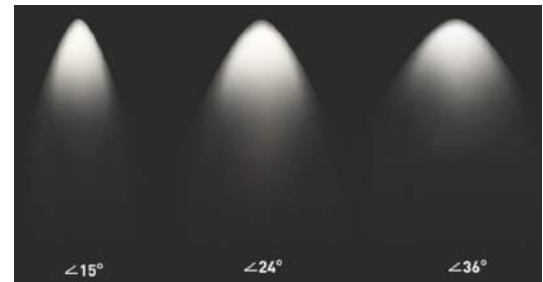
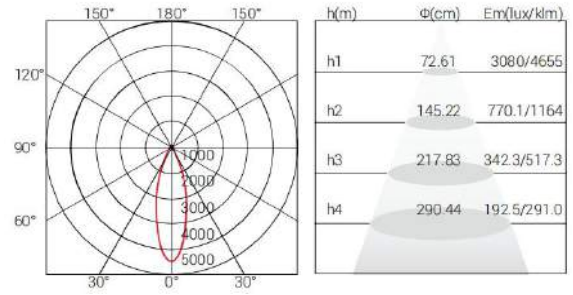


WALL WASHER DOWNLIGHT

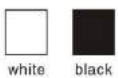


Model Code	CL-GY- 12	UGR	<19	Input Voltage	AC85-265V
Power	12W	Fliker<15%	√	Driver	Eaglerise /Lifud
Size:	Φ90*H120mm	Beam angle	18°/ 24°/ 36°	IP	20
Cut out	Φ80mm	CCT	3000K/4000K/6000K	Material	Aluminium
Light Source	Luminus / CREE	Power Factor	0.95	Lifespan	50000h
Optical	Lens	Efficiency	80%		

WALL WASHER DOWNLIGHT



Finishing Color



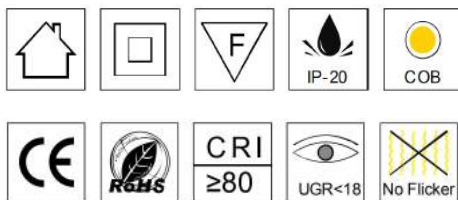
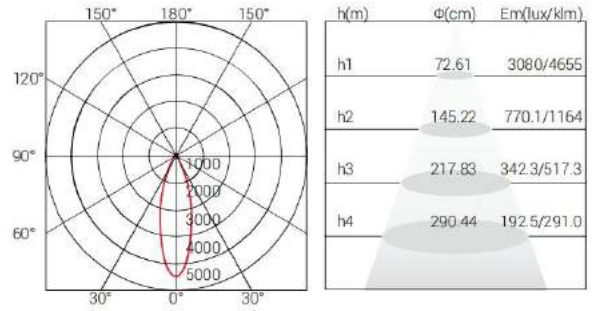
Model Code	CL-T- P012
Power	12W
Size:	Φ82*H118mm
Cut out	Φ75mm
Light Source	Luminus / CREE
Optical	Lens

UGR	<18
Flicker<15%	√
Beam angle	18° / 24°/36°

CCT	3000K/4000K/6000K
Lumens	960lm
Power Factor	0.95
Efficiency	80%
Lifespan	50000h
Input Voltage	AC85-265V
IP	20
Driver	Eaglerise / Lifud
Material	Aluminium



WALL WASHER DOWNLIGHT



Finishing color

silver , gold

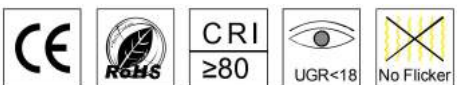
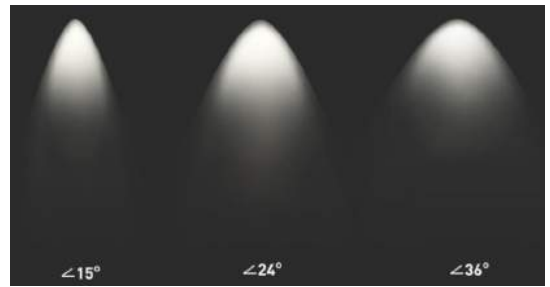
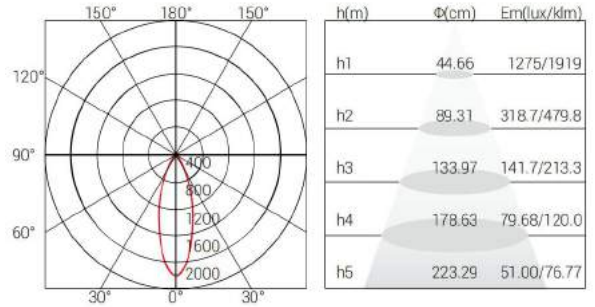
Model Code	CL-T- P010 /CL-T - P015
Power	10W / 15W
Size:	Φ105*H104mm / Φ115*H125mm
Cut out	Φ85mm / Φ95mm
Light Source	Luminus / CREE
Optical	Lens

UGR	<18
Fliker<15%	√
Beam angle	18° / 24°/36°

CCT	3000K/4000K/6000K
Lumens	800lm / 1200lm
Power Factor	0.95
Efficiency	80%
Lifespan	50000h
Input Voltage	AC85-265V
IP	20
Driver	Eaglerise / Lifud
Material	Aluminium



WALL WASHER DOWNLIGHT

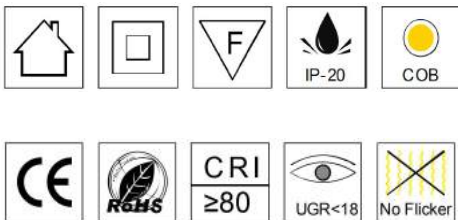
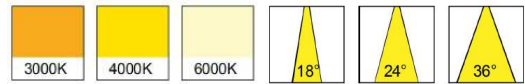
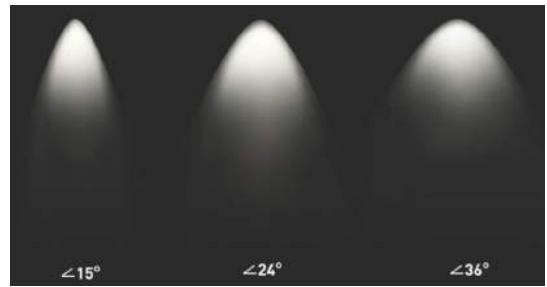
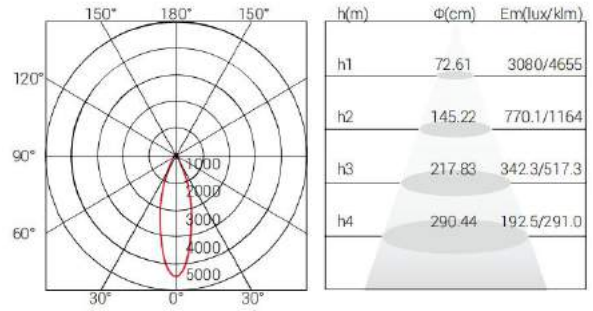


Finishing color

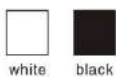
white ,chrome, gold , silver

Model Code	CL-T- B07
Power	7W
Size:	Φ80*H70mm
Cut out	Φ75mm
Light Source	Luminus / CREE
Optical	Lens
UGR	<18
Fliker<15%	√
Beam angle	18°/ 24°/36°

CCT	3000K/4000K/6000K
Lumens	560lm
Power Factor	0.95
Efficiency	80%
Lifespan	50000h
Input Voltage	AC85-265V
IP	20
Driver	Eaglerise / Lifud
Material	Aluminium



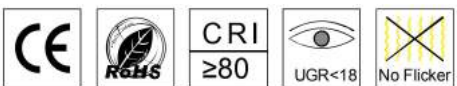
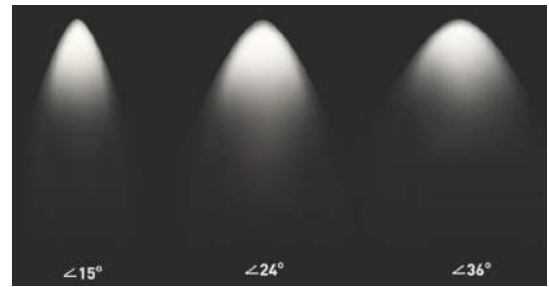
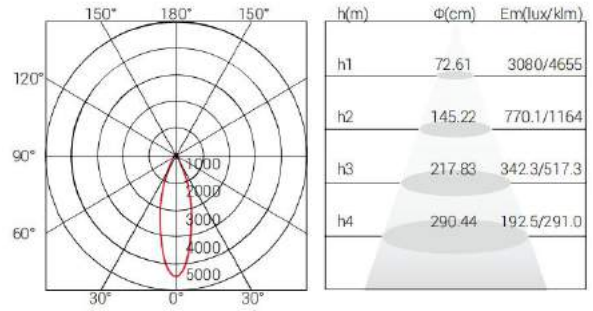
Finishing Color



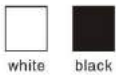
Model Code	CL-AW - 10W
Power	10W
Size:	95*H94mm
Cut out	Φ85mm
Light Source	Luminus / CREE
Optical	Lens

UGR	<18
Fliker<15%	√
Beam angle	18° / 24°/36°

CCT	3000K/4000K/6000K
Lumens	800lm
Power Factor	0.95
Efficiency	80%
Lifespan	50000h
Input Voltage	AC85-265V
IP	20
Driver	Eaglerise / Lifud
Material	Aluminium



Finishing Color



Model Code CL-AK -10W

Power 10W

Size: 95*95*H94mm

Cut out Φ85mm

Light Source Luminus / CREE

Optical Lens

UGR < 18

Flicker < 15% ✓

Beam angle 18° / 24° / 36°

CCT 3000K/4000K/6000K

Lumens 800lm

Power Factor 0.95

Efficiency 80%

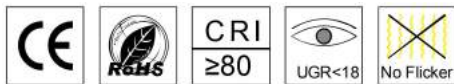
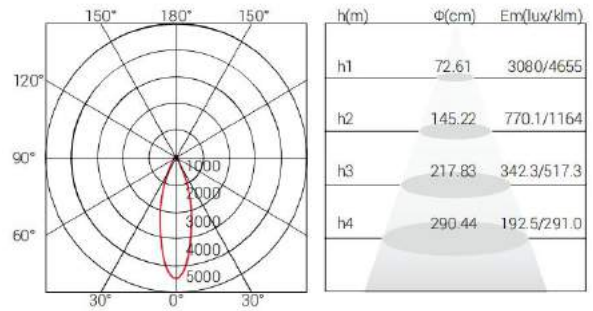
Lifespan 50000h

Input Voltage AC85-265V

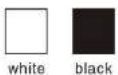
IP 20

Driver Eaglerise / Lifud

Material Aluminium



Finishing Color



Model Code	CL-AY -10W
Power	10W
Size:	Φ95*H94mm
Cut out	Φ85mm
Light Source	Luminus / CREE
Optical	Lens

UGR	<18
Fliker<15%	√
Beam angle	18° / 24°/36°

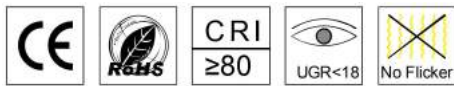
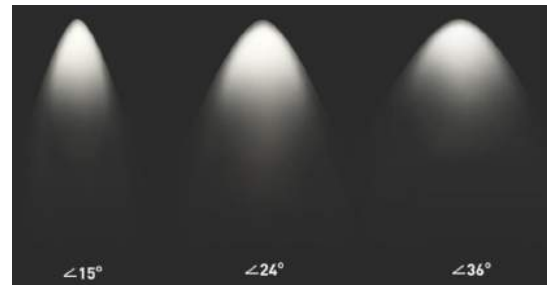
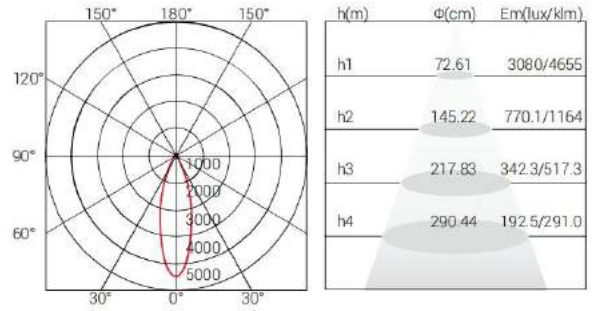
CCT	3000K/4000K/6000K
Lumens	800lm
Power Factor	0.95
Efficiency	80%
Lifespan	50000h
Input Voltage	AC85-265V
IP	20
Driver	Eaglerise / Lifud
Material	Aluminium



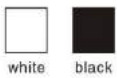
Model Code	CL-X-012B	UGR	<19	Input Voltage	AC85-265V
Power	12W	Fliker	<15%	Driver	Eaglerise /Lifud
Size:	Φ90*H120mm	Beam angle	18°/ 24°/ 36°	IP	20
Cut out	Φ80mm	CCT	3000K/4000K/6000K	Material	Aluminium
Light Source	Luminus / CREE	Power Factor	0.95	Lifespan	50000h
Optical	Lens	Efficiency	80%		



RECESSED DOWNLIGHT



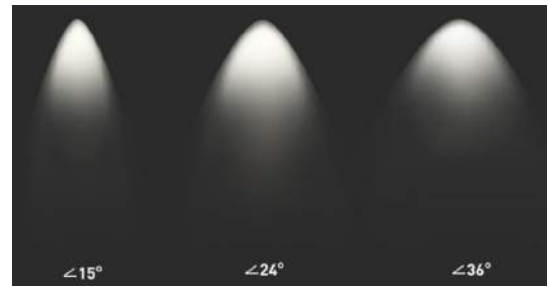
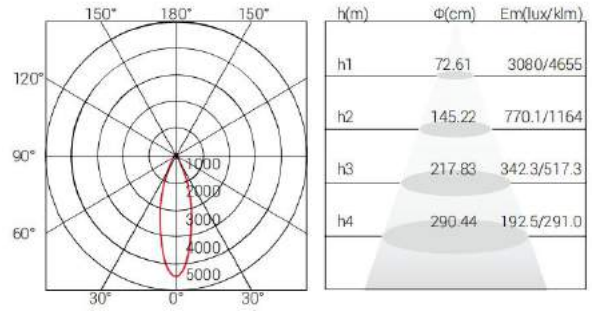
Finishing Color



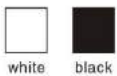
Model Code	CL-ZH - H012C
Power	12W
Size:	Φ100*H65mm
Cut out	Φ90mm
Light Source	Luminus / CREE
Optical	Lens

UGR	<19
Fliker<15%	√
Beam angle	18° / 24° / 36°

CCT	3000K/4000K/6000K
Lumens	960lm
Power Factor	0.95
Efficiency	80%
Lifespan	50000h
Input Voltage	AC85-265V
IP	20
Driver	Eaglerise / Lifud
Material	Aluminium



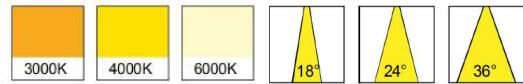
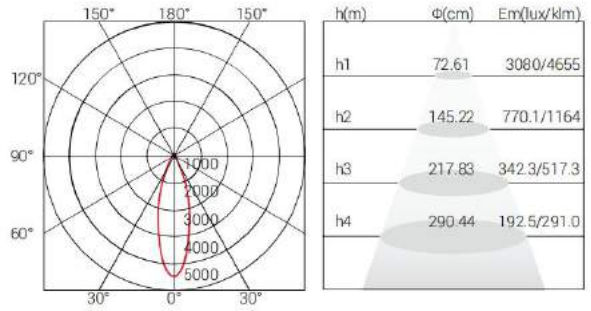
Finishing Color



Model Code	CL-T -012K
Power	12W
Size:	Φ73*H118mm
Cut out	Φ65mm
Light Source	Luminus / CREE
Optical	Lens

UGR	<22
Fliker<15%	√
Beam angle	18° / 24°/36°

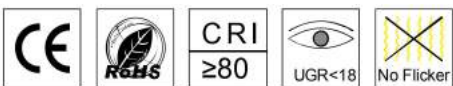
CCT	3000K/4000K/6000K
Lumens	960lm
Power Factor	0.95
Efficiency	80%
Lifespan	50000h
Input Voltage	AC85-265V
IP	20
Driver	Eaglerise / Lifud
Material	Aluminium



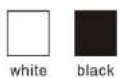
Model Code	CL-T -012R / CL-T -025R
Power	12W / 25W
Size:	Φ98*H120mm / Φ130*H1135mm
Cut out	Φ90mm / Φ125mm
Light Source	Luminus / CREE
Optical	Lens

UGR	<22
Fliker<15%	√
Beam angle	18° / 24°/36°

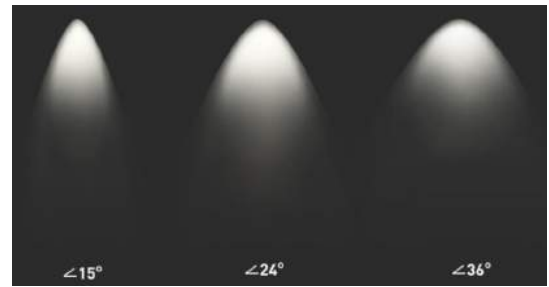
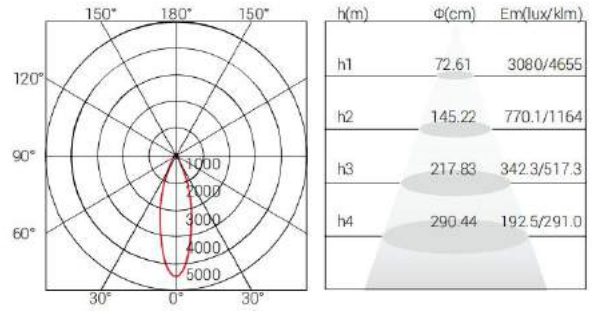
CCT	3000K/4000K/6000K
Lumens	960lm / 2000lm
Power Factor	0.95
Efficiency	80%
Lifespan	50000h
Input Voltage	AC85-265V
IP	20
Driver	Eaglerise / Lifud
Material	Aluminium



Finishing Color



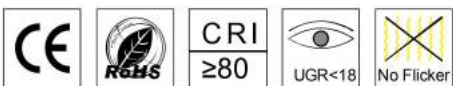
RECESSED DOWNLIGHT



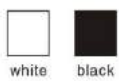
Model Code	CL-T -012C /CL- T -025C
Power	12W / 25W
Size:	100*100*H120mm / 130*130*H135mm
Cut out	Φ90mm / Φ125mm
Light Source	Luminus / CREE
Optical	Lens

UGR	<22
Fliker<15%	√
Beam angle	18° / 24°/36°

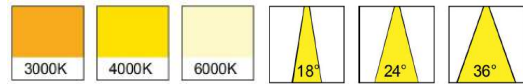
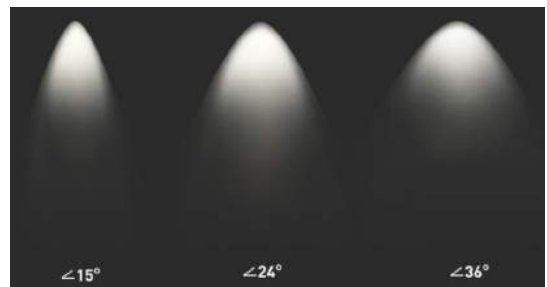
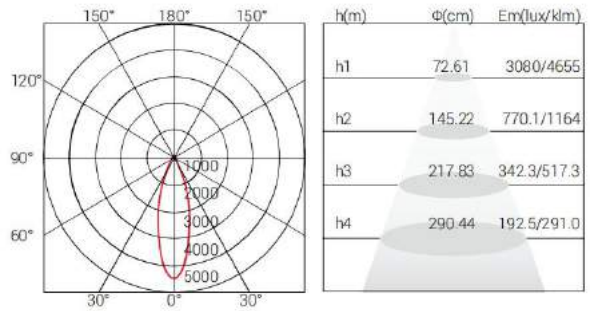
CCT	3000K/4000K/6000K
Lumens	960lm / 2000lm
Power Factor	0.95
Efficiency	80%
Lifespan	50000h
Input Voltage	AC85-265V
IP	20
Driver	Eaglerise / Lifud
Material	Aluminium



Finishing Color



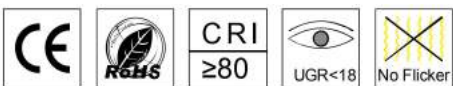
RECESSED DOWNLIGHT



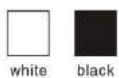
Model Code	CL-T -012H / CL- T -025H
Power	12*2= 24W / 25*2= 50W
Size:	100*185*H120mm / 130*240*H135mm
Cut out	175*90mm / 230*120mm
Light Source	Luminus / CREE
Optical	Lens

UGR	<22
Fliker<15%	√
Beam angle	18° / 24°/36°

CCT	3000K/4000K/6000K
Lumens	960lm / 2000lm
Power Factor	0.95
Efficiency	80%
Lifespan	50000h
Input Voltage	AC85-265V
IP	20
Driver	Eaglerise / Lifud
Material	Aluminium

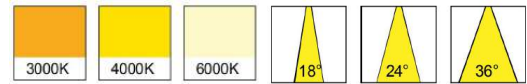
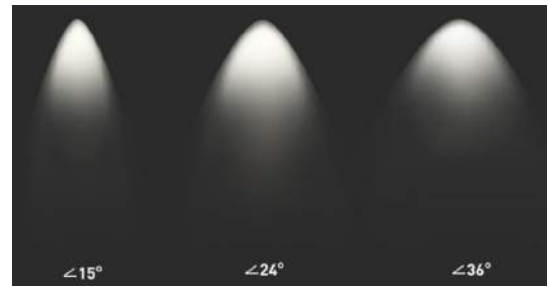
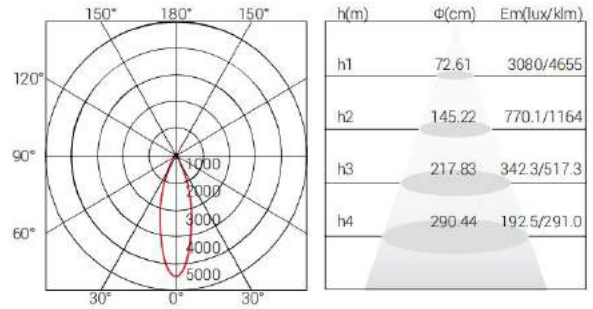


Finishing Color

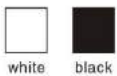




Model Code	CL-RH-010	CL-RH-020	CL-RH-030
Power	10W	20W	30W
Size:	97*97mm	167*97mm	237*97mm
Cut out	75*75mm	145*75mm	215*75mm
Light Source	Luminus / CREE	Luminus / CREE	Luminus / CREE
Optical	Reflector	Reflector	Reflector
UGR	<22	<22	<22
Fliker<15%	√	√	√
Beam angle	15° / 30°/45°	15° / 30°/45°	15° / 30°/45°
CCT	3000K/4000K/6000K		
Power Factor	0.95	0.95	0.95
Efficiency	80%	80%	80%
Input Voltage	AC85-265V	AC85-265V	AC85-265V
Driver	Eaglerise /Lifud	Eaglerise /Lifud	Eaglerise /Lifud
IP	20	20	20
Material	Aluminium	Aluminium	Aluminium
Lifespan	50000h	50000h	50000h



Finishing Color

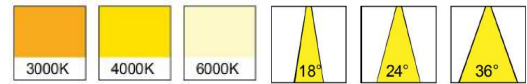
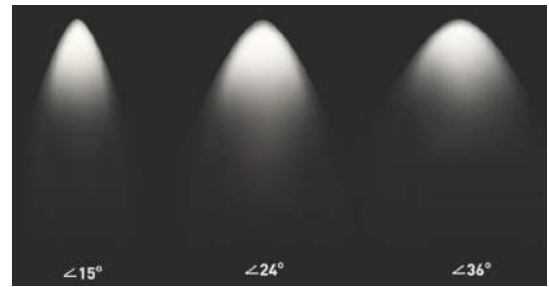
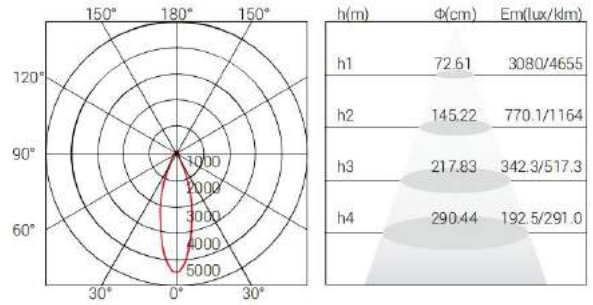


Model Code	CL-DS-012
Power	12W
Size:	145*145*H140mm
Cut out	120*120mm
Light Source	Luminus / CREE
Optical	Lens

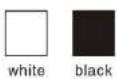
UGR	<18
Fliker<15%	√
Beam angle	18° / 24°/36°

CCT	3000K/4000K/6000K
Lumens	960lm
Power Factor	0.95
Efficiency	80%
Lifespan	50000h
Input Voltage	AC85-265V
IP	20
Driver	Eaglerise / Lifud
Material	Aluminium

RECESSED DOWNLIGHT



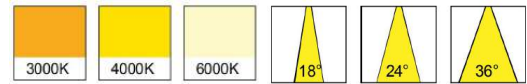
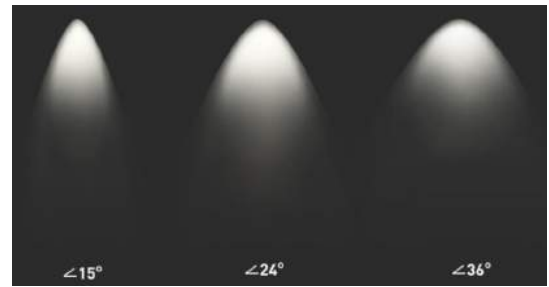
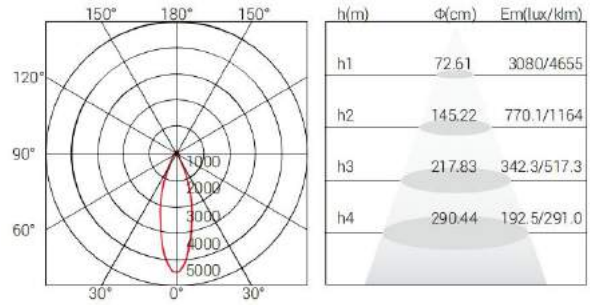
Finishing Color



Model Code	CL-DS -012
Power	12*2W (24W)
Size:	145*145*H140mm
Cut out	120*120mm
Light Source	Luminus / CREE
Optical	Lens

UGR	<18
Fliker<15%	√
Beam angle	18° / 24°/36°

CCT	3000K/4000K/6000K
Lumens	1950lm
Power Factor	0.95
Efficiency	80%
Lifespan	50000h
Input Voltage	AC85-265V
IP	20
Driver	Eaglerise / Lifud
Material	Aluminium



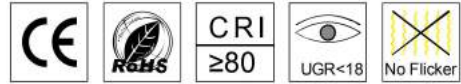
Finishing Color



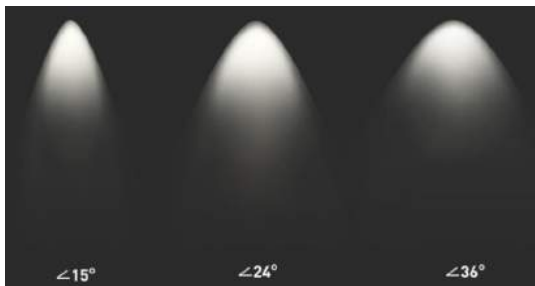
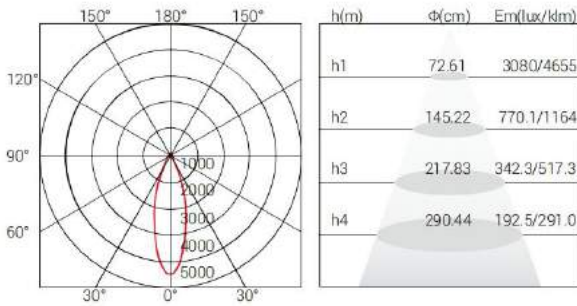
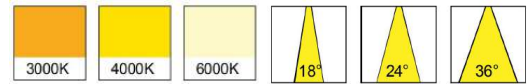
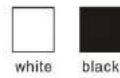
Model Code	CL-DS -024
Power	12*2W (24W)
Size:	145*145*H140mm
Cut out	120*120mm
Light Source	Luminus / CREE
Optical	Lens

UGR	<18
Fliker<15%	√
Beam angle	18° / 24°/36°

CCT	3000K/4000K/6000K
Lumens	1950lm
Power Factor	0.95
Efficiency	80%
Lifespan	50000h
Input Voltage	AC85-265V
IP	20
Driver	Eaglerise / Lifud
Material	Aluminium



Finishing Color



Model Code CL-H 015R

Power 15W

Size: 145*145*H140mm

Cut out Φ95mm

Light Source Luminus / CREE

Optical Lens

UGR <18

Flicker <15% ✓

Beam angle 18° / 24° / 36°

CCT 3000K/4000K/6000K

Lumens 1200lm

Power Factor 0.95

Efficiency 80%

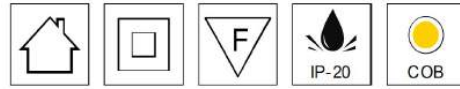
Lifespan 50000h

Input Voltage AC85-265V

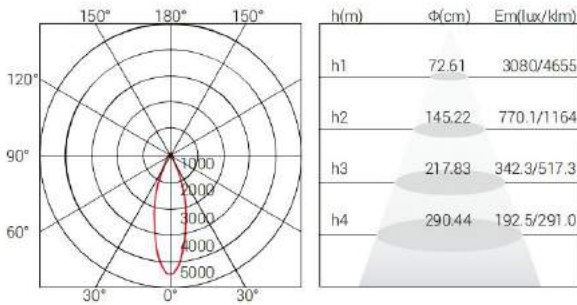
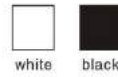
IP 20

Driver Eaglerise / Lifud

Material Aluminium



Finishing Color



Model Code CL-H111-015R

Power 15W

Size: $\Phi 86 \times 83 \text{mm}$

Cut out $\Phi 75 \text{mm}$

Light Source Luminus / CREE

Optical Lens

UGR < 18

Flicker < 15% \checkmark

Beam angle $18^\circ / 24^\circ / 36^\circ$

CCT 3000K/4000K/6000K

Lumens 1200lm

Power Factor 0.95

Efficiency 80%

Lifespan 50000h

Input Voltage AC85-265V

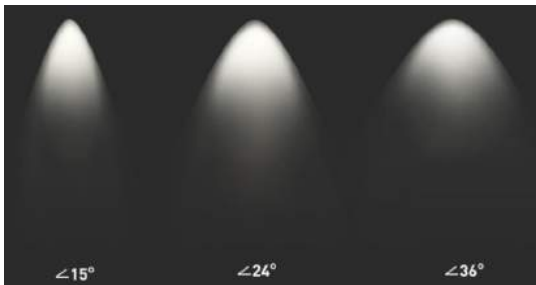
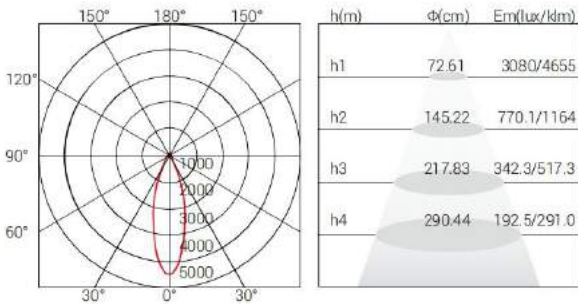
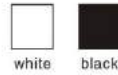
IP 20

Driver Eaglerise / Lifud

Material Aluminium



Finishing Color



Model Code CL-HO-015

Power 15W

Size: $\Phi 86 \times 83$ mm

Cut out $\Phi 75$ mm

Light Source Luminus / CREE

Optical Lens

UGR < 18

Flicker < 15% ✓

Beam angle 18° / 24° / 36°

CCT 3000K/4000K/6000K

Lumens 1200lm

Power Factor 0.95

Efficiency 80%

Lifespan 50000h

Input Voltage AC85-265V

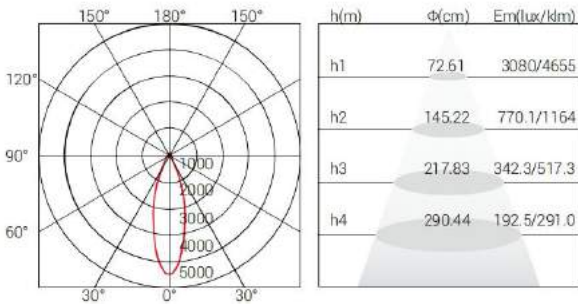
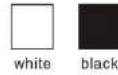
IP 20

Driver Eaglerise / Lifud

Material Aluminium



Finishing Color



Model Code CL-GS -012

Power 12W

Size: 100*100*95mm

Cut out 85*85mm

Light Source Luminus / CREE

Optical Lens

UGR < 22

Flicker < 15% ✓

Beam angle 18° / 24° / 36°

CCT 3000K/4000K/6000K

Lumens 960lm

Power Factor 0.95

Efficiency 80%

Lifespan 50000h

Input Voltage AC85-265V

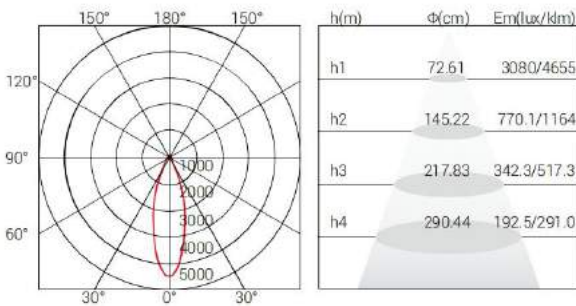
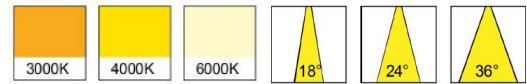
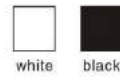
IP 20

Driver Eaglerise / Lifud

Material Aluminium



Finishing Color



Model Code	CL-GS - 024
Power	24W
Size:	180*100*95mm
Cut out	160*80mm
Light Source	Luminus / CREE
Optical	Lens
UGR	<22
Fliker<15%	√
Beam angle	18° / 24°/36°
CCT	3000K/4000K/6000K
Lumens	19200lm
Power Factor	0.95
Efficiency	80%
Lifespan	50000h
Input Voltage	AC85-265V
IP	20
Driver	Eaglerise / Lifud
Material	Aluminium

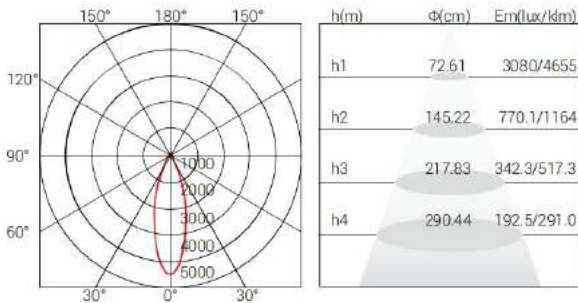
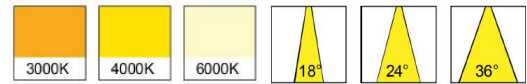
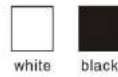


Model Code	CL-DR-05	CL-DR-05	CL-DR-010	CL-DR-015
Power	5W	5W	10W	15W
Size:	Φ88*H76mm	92*92*76mm	172*92*76mm	252*92*76mm
Cut out	Φ80mm	Φ80mm	Φ165*80mm	Φ240*85mm
Light Source	Luminus / CREE	Luminus / CREE	Luminus / CREE	Luminus / CREE
Optical	Reflector	Reflector	Reflector	Reflector
UGR	<22	<22	<22	<22
Fliker<15%	√	√	√	√
Beam angle	15° / 30°/45°	15° / 30°/45°	15° / 30°/45°	15° / 30°/45°
CCT	3000K/4000K/6000K			
Power Factor	0.95	0.95	0.95	0.95
Efficiency	80%	80%	80%	80%
Input Voltage	AC85-265V	AC85-265V	AC85-265V	AC85-265V
Driver	Eaglerise /Lifud	Eaglerise /Lifud	Eaglerise /Lifud	Eaglerise /Lifud
IP	20	20	20	20
Material	Aluminium	Aluminium	Aluminium	Aluminium
Lifespan	50000h	50000h	50000h	50000h





Finishing Color



Model Code CL-DT-05 / CL-DT-09 / CL-DT-15 / CL-DT-20

Power 5W / 9W / 15W / 20W

Size: Φ60*H71 / Φ82*H100 / Φ98*H129mm

Cut out Φ65mm / Φ85mm / Φ100mm

Light Source Luminus / CREE

Optical Lens

UGR < 18

Flicker < 15% ✓

Beam angle 18° / 24° / 36°

CCT 3000K/4000K/6000K

Lumens 400lm / 720lm / 1200lm / 200lm

Power Factor 0.95

Efficiency 80%

Lifespan 50000h

Input Voltage AC85-265V

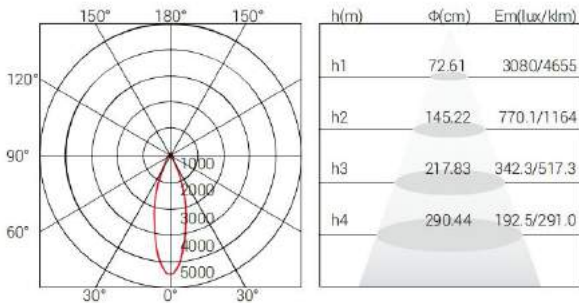
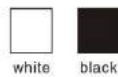
IP 20

Driver Eaglerise / Lifud

Material Aluminium

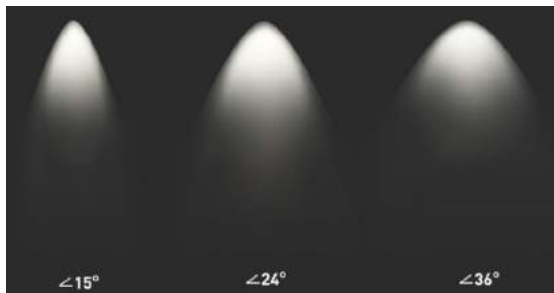


Finishing Color



Model Code	CL-DS-05 / CL-DS-09 / CL-DS-015 / CL-DS-020
Power	5W / 9W / 15W / 20W
Size:	57*H76 / 73*H100 / 98*H131mm
Cut out	60*60mm / 75*75mm / 100*100mm
Light Source	Luminus / CREE
Optical	Reflector

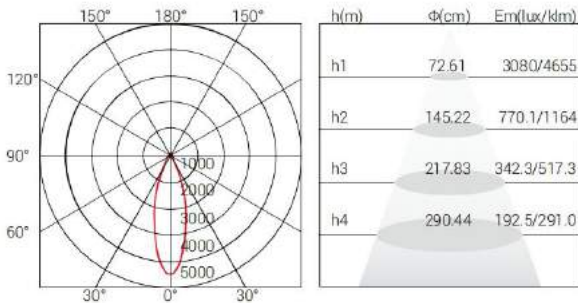
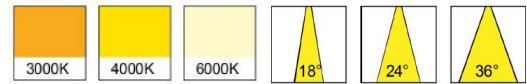
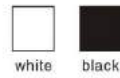
UGR	<19
Flicker<15%	√
Beam angle	18° / 24° / 36°



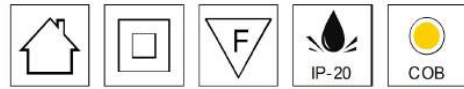
CCT	3000K/4000K/6000K
Lumens	400lm / 720lm / 1200lm / 200lm
Power Factor	0.95
Efficiency	80%
Lifespan	50000h
Input Voltage	AC85-265V
IP	20
Driver	Eaglerise / Lifud
Material	Aluminium



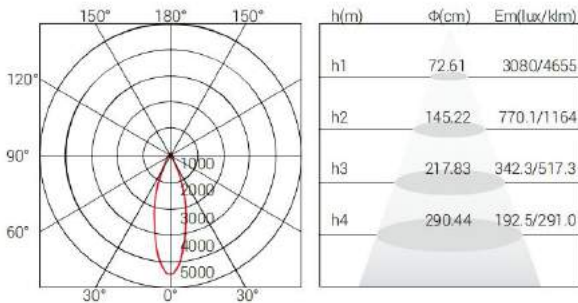
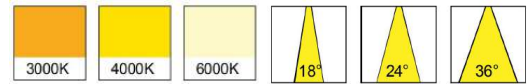
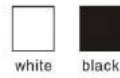
Finishing Color



Model Code	CL-R- 507
Power	7W
Size:	Φ85*H90mm
Cut out	Φ90mm
Light Source	Luminus / CREE
Optical	Reflector
UGR	<19
Fliker<15%	√
Beam angle	18°/ 24°/36°
CCT	3000K/4000K/6000K
Lumens	560lm
Power Factor	0.95
Efficiency	80%
Lifespan	50000h
Input Voltage	AC85-265V
IP	20
Driver	Eaglerise / Lifud
Material	Aluminium



Finishing Color



Model Code CL-S-507

Power 7W

Size: 85*85*H90mm

Cut out 90*90mm

Light Source Luminus / CREE

Optical Reflector

UGR < 19

Flicker < 15% ✓

Beam angle 18° / 24° / 36°

CCT 3000K/4000K/6000K

Lumens 560lm

Power Factor 0.95

Efficiency 80%

Lifespan 50000h

Input Voltage AC85-265V

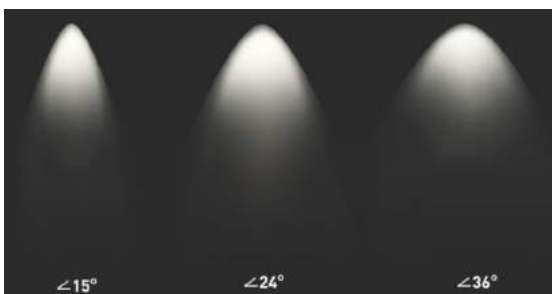
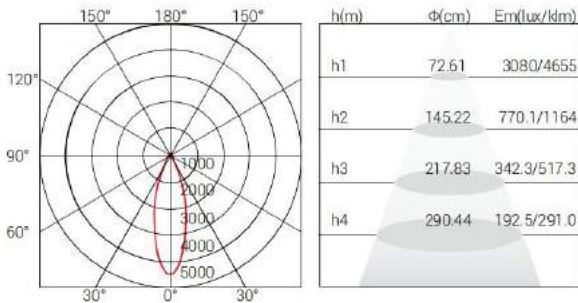
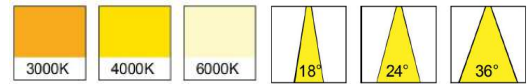
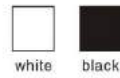
IP 20

Driver Eaglerise / Lifud

Material Aluminium



Finishing Color



Model Code CL-R- 508

Power 9W

Size: Φ85*H90mm

Cut out Φ90mm

Light Source Luminus / CREE

Optical Reflector

UGR < 19

Flicker < 15% ✓

Beam angle 18° / 24° / 36°

CCT 3000K/4000K/6000K

Lumens 720lm

Power Factor 0.95

Efficiency 80%

Lifespan 50000h

Input Voltage AC85-265V

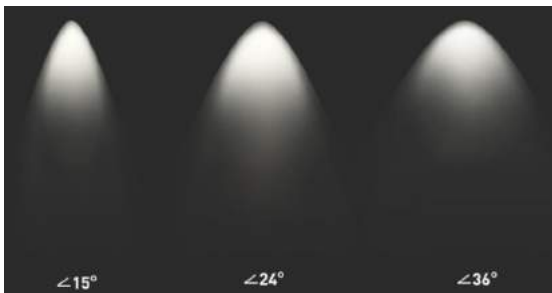
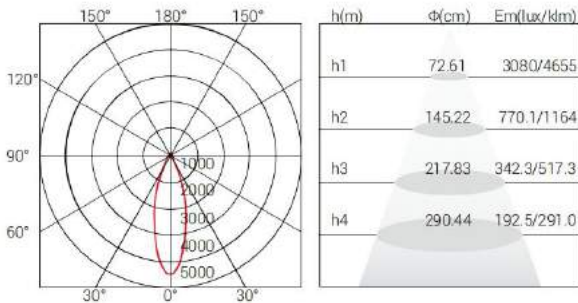
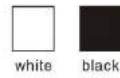
IP 20

Driver Eaglerise / Lifud

Material Aluminium



Finishing Color



Model Code CL-S- 508

Power 9W

Size: Φ85*H90mm

Cut out Φ90mm

Light Source Luminus / CREE

Optical Reflector

UGR < 19

Flicker < 15% ✓

Beam angle 18° / 24° / 36°

CCT 3000K/4000K/6000K

Lumens 720lm

Power Factor 0.95

Efficiency 80%

Lifespan 50000h

Input Voltage AC85-265V

IP 20

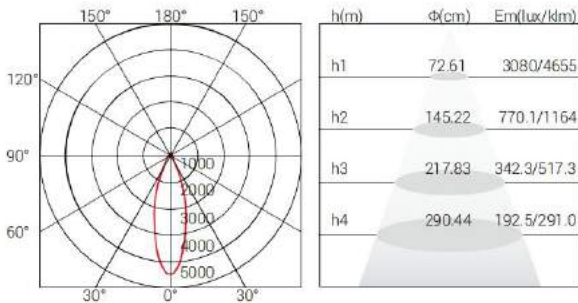
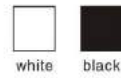
Driver Eaglerise / Lifud

Material Aluminium

TRIMLESS DOWNLIGHT



Finishing Color



Model Code CL-DK-012

Power 12W

Size: Φ108*H120mm

Cut out Φ110mm

Light Source Luminus / CREE

Optical Reflector

UGR < 19

Flicker < 15% ✓

Beam angle 18° / 24° / 36°

CCT 3000K/4000K/6000K

Lumens 960lm

Power Factor 0.95

Efficiency 80%

Lifespan 50000h

Input Voltage AC85-265V

IP 20

Driver Eaglerise / Lifud

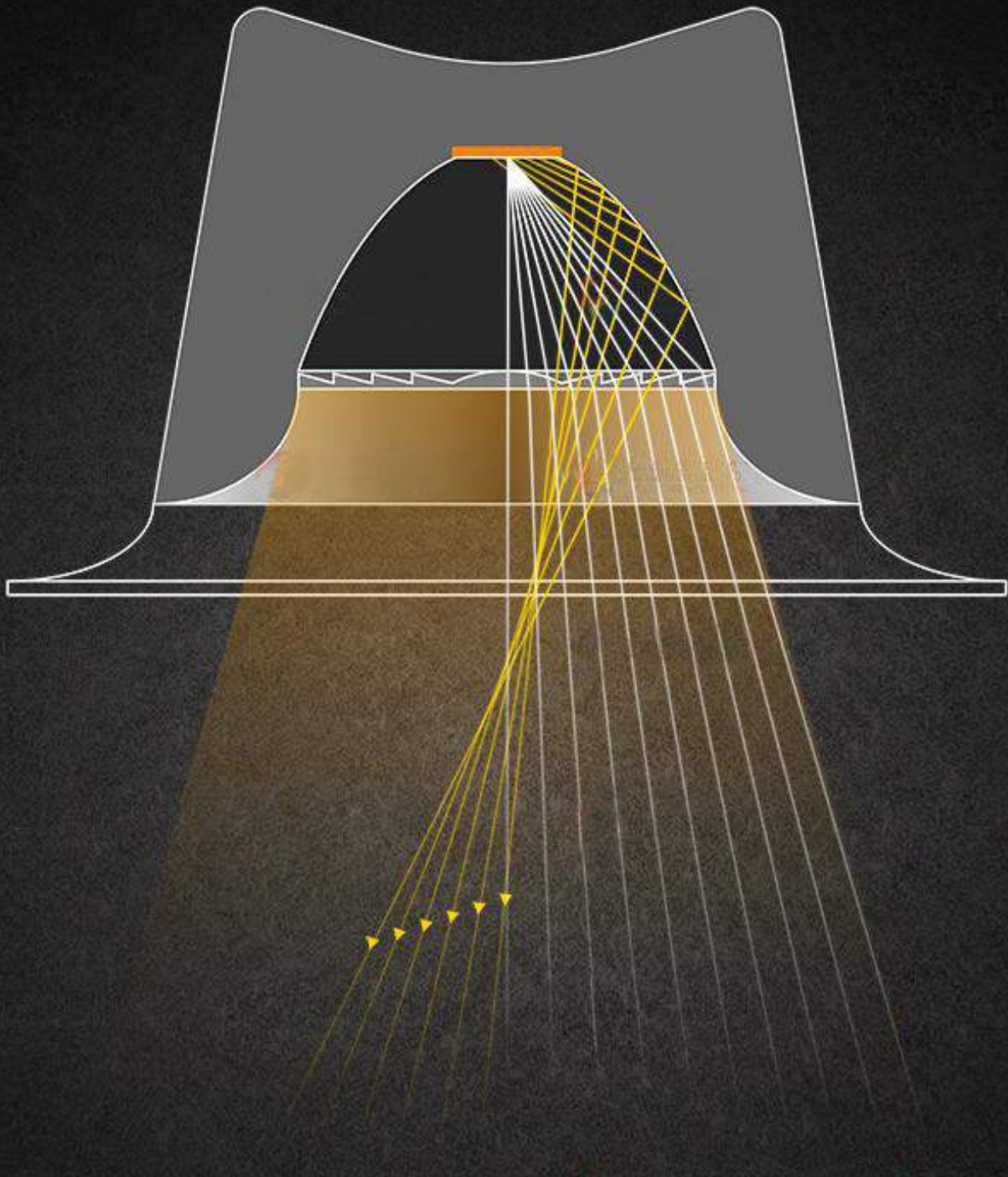
Material Aluminium



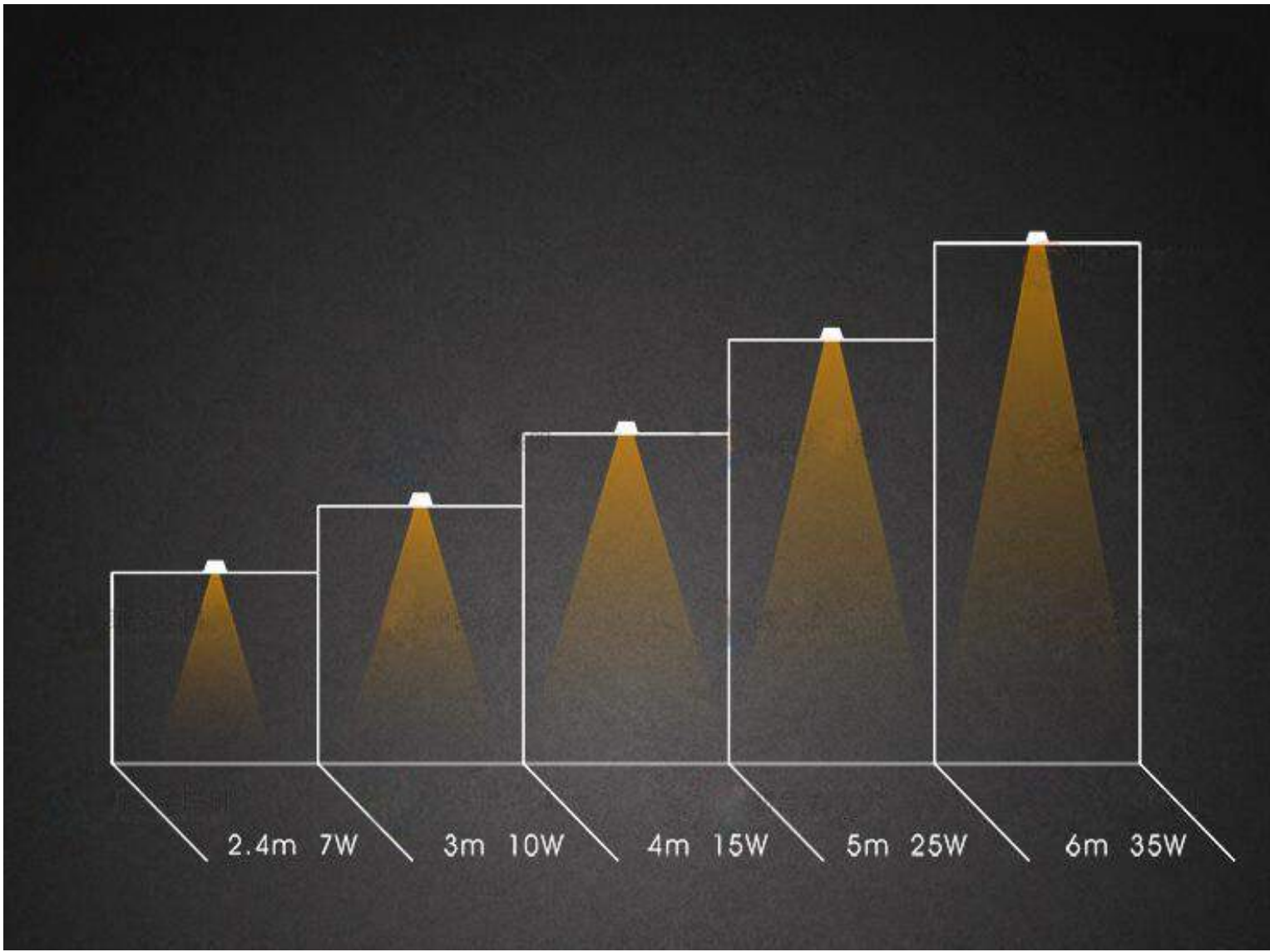
WALL WASHER DOWNLIGHT



Model Code	CL-XD-05	CL-XD-010	CL-XD-015	CL-XD-020	CL-XD-030	CL-XD-035
Power	5W	10W	15W	20W	30W	35W
Size:	Φ62*H85mm	Φ86*H115mm	Φ110*H140mm	Φ140*H155mm	Φ160*H200mm	Φ180*H210mm
Cut out	Φ55mm	Φ75mm	Φ85mm	Φ125mm	Φ145mm	Φ165mm
Light Source	Luminus / CREE	Luminus / CREE	Luminus / CREE	Luminus / CREE	Luminus / CREE	Luminus / CREE
Optical	Reflector	Reflector	Reflector	Reflector	Reflector	Reflector
UGR	<19	<19	<19	<19	<19	<19
Fliker<15%	√	√	√	√	√	√
Beam angle	18° / 24° / 36°	18° / 24° / 36°	18° / 24° / 36°	18° / 24° / 36°	18° / 24° / 36°	18° / 24° / 36°
CCT	3000K/4000K/6000K					
Power Factor	0.95	0.95	0.95	0.95	0.95	0.95
Efficiency	80%	80%	80%	80%	80%	80%
Input Voltage	AC85-265V	AC85-265V	AC85-265V	AC85-265V	AC85-265V	AC85-265V
Driver	Eaglerise /Lifud	Eaglerise /Lifud	Eaglerise /Lifud	Eaglerise /Lifud	Eaglerise /Lifud	Eaglerise /Lifud
IP	20	20	20	20	20	20
Material	Aluminium	Aluminium	Aluminium	Aluminium	Aluminium	Aluminium
Lifespan	50000h	50000h	50000h	50000h	50000h	50000h



- Reliable material: die-casting Aluminum Not only guarantees corrosion protection and rust prevention, but improves the heat dissipation efficiency
- Perfect illumination: Deep anti-glare design provide sufficient light for general lighting without glare ,bring a lozy and warm ambiance for your sight.
- Different reflectors: mirror reflector and frosted reflector for your option aiming at meet different request in the market .
- Large wattage: External Constant current isolated driver easily connected by male and female plugs, release the limit of wattage, high brightness in high ceiling also creates a cozy atmosphere for your Lobby.





Power: 7W

Size:Φ90xH52mm

Cutout:Φ75mm

Power: 10W

Size:Φ115xH65mm

Cutout:Φ95mm

Power: 15W

Size:Φ140xH76mm

Cutout:Φ120mm

Power: 25W

Size:Φ200xH108mm

Cutout:Φ160mm

Power: 35W

Size:Φ230xH120mm

Cutout:Φ200mm

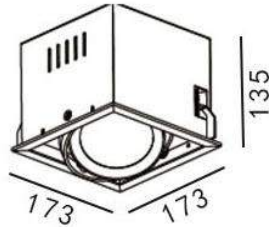
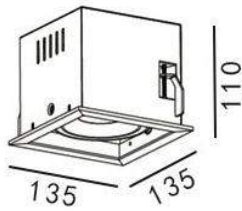
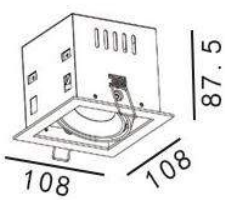
Model Code	CL-DL0-07	CL-DL0-10	CL-DL0-15	CL-DL0-25	CL-DL-035
Power	7W	10W	15W	25W	35W
Size:	Φ90*55mm	Φ115*65mm	Φ140*76mm	Φ200*108mm	Φ230*120mm
Cut out	Φ75mm	Φ95mm	Φ120mm	Φ160mm	Φ200mm
Light Source	Luminus / CREE	Luminus / CREE	Luminus / CREE	Luminus / CREE	Luminus / CREE
Optical	Len / Reflector	Len / Reflector	Len / Reflector	Len / Reflector	Len / Reflector
UGR	<19	<19	<19	<19	<19
Fliker<15%	√	√	√	√	√
Beam angle	60° / 80°	60° / 80°	60° / 80°	60° / 80°	60° / 80°
CCT	3000K/4000K/6000K				
Power Factor	0.95	0.95	0.95	0.95	0.95
Efficiency	80%	80%	80%	80%	80%
Input Voltage	AC85-265V	AC85-265V	AC85-265V	AC85-265V	AC85-265V
Driver	Eaglerise /Lifud	Eaglerise /Lifud	Eaglerise /Lifud	Eaglerise /Lifud	Eaglerise /Lifud
IP	20	20	20	20	20
Material	Aluminium	Aluminium	Aluminium	Aluminium	Aluminium
Lifespan	50000h	50000h	50000h	50000h	50000h



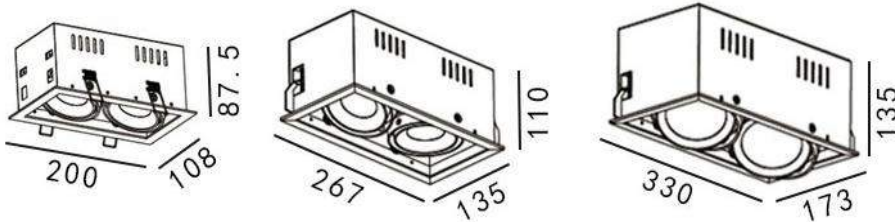
Model Code	CL-XE0- 06	CL-XE0- 12	CL-XE0- 18	CL-XE0- 36	CL-XE0- 48
Power	6W	12W	18W	36W	48W
Size:	Φ90*H58mm	Φ102*H68mm	Φ140*H68mm	Φ180*H90mm	Φ230*H120mm
Cut out	Φ75mm	Φ90mm	Φ125mm	Φ150mm	Φ200mm
Light Source	SMD	SMD	SMD	SMD	SMD
Optical	Reflector	Reflector	Reflector	Reflector	Reflector
UGR	<19	<19	<19	<19	<19
Fliker<15%	√	√	√	√	√
Beam angle	80°	80°	80°	80°	80°
CCT	3000K/4000K/6000K				
Power Factor	0.95	0.95	0.95	0.95	0.95
Efficiency	80%	80%	80%	80%	80%
Input Voltage	AC85-265V	AC85-265V	AC85-265V	AC85-265V	AC85-265V
Driver	Eaglerise /Lifud	Eaglerise /Lifud	Eaglerise /Lifud	Eaglerise /Lifud	Eaglerise /Lifud
IP	20	20	20	20	20
Material	Aluminium	Aluminium	Aluminium	Aluminium	Aluminium
Lifespan	50000h	50000h	50000h	50000h	50000h



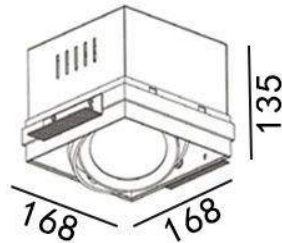
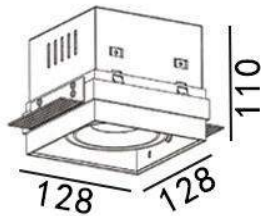
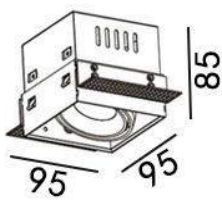
Model Code	CL-U0-15	CL-U0- 20	CL-U0- 30	CL-U0- 35
Power	15W	20W	30W	35W
Size:	Φ102*H68mm	Φ140*H68mm	Φ180*H90mm	Φ230*H120mm
Cut out	Φ90mm	Φ125mm	Φ150mm	Φ200mm
Light Source	Luminus / CREE	Luminus / CREE	Luminus / CREE	Luminus / CREE
Optical	Reflector	Reflector	Reflector	Reflector
UGR	<16	<16	<16	<16
Fliker<15%	√	√	√	√
Beam angle	24°/ 36°/ 60°	24°/ 36°/ 60°	24°/ 36°/ 60°	24°/ 36°/ 60°
CCT				
Power Factor	0.95	0.95	0.95	0.95
Efficiency	80%	80%	80%	80%
Input Voltage	AC85-265V	AC85-265V	AC85-265V	AC85-265V
Driver	Eaglerise /Lifud	Eaglerise /Lifud	Eaglerise /Lifud	Eaglerise /Lifud
IP	20	20	20	20
Material	Aluminium	Aluminium	Aluminium	Aluminium
Lifespan	50000h	50000h	50000h	50000h



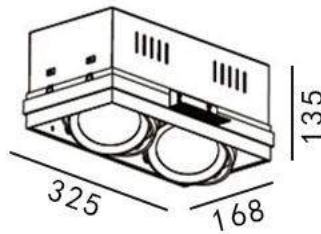
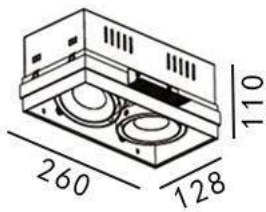
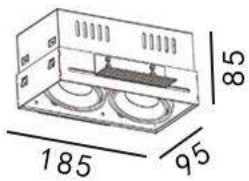
Model Code	CL-AR-07	CL-AR-015	CL-AR-025
Power	7W	15W	25W
Size:	108*108*87.5mm	135*135*110mm	173*173*135mm
Cut out			
Light Source	CREE / LUMINUS	CREE / LUMINUS	CREE / LUMINUS
Optical	Reflector	Reflector	Reflector
UGR	<25	<25	<25
Fliker<15%	√	√	√
Beam angle	18°/24° / 36°	18°/24° / 36°	18°/24° / 36°
CCT	3000K/4000K/6000K		
Power Factor	0.95	0.95	0.95
Efficiency	80%	80%	80%
Input Voltage	AC85-265V	AC85-265V	AC85-265V
Driver	Eaglerise /Lifud	Eaglerise /Lifud	Eaglerise /Lifud
IP	20	20	20
Material	Aluminium	Aluminium	Aluminium
Lifespan	50000h	50000h	50000h



Model Code	CL-AR- 07X2	CL-AR-15X2	CL-AR-25X2
Power	7X2W	15X2W	25X2W
Size:	200*108*87.5mm	267*135*110mm	330*173*135mm
Cut out	185*105mm	255*125mm	315*160mm
Light Source	CREE / LUMINUS	CREE / LUMINUS	CREE / LUMINUS
Optical	Reflector	Reflector	Reflector
UGR	<25	<25	<25
Fliker<15%	√	√	√
Beam angle	18°/24° / 36°	18°/24° / 36°	18°/24° / 36°
CCT	3000K/4000K/6000K		
Power Factor	0.95	0.95	0.95
Efficiency	80%	80%	80%
Input Voltage	AC85-265V	AC85-265V	AC85-265V
Driver	Eaglerise /Lifud	Eaglerise /Lifud	Eaglerise /Lifud
IP	20	20	20
Material	Aluminium	Aluminium	Aluminium
Lifespan	50000h	50000h	50000h



Model Code	CL-HR0- 07	CL-HR0-15	CL-HR0- 25
Power	7W	15W	25W
Size:	95*95*85mm	128*128*110mm	168*168*135mm
Cut out			
Light Source	CREE / LUMINUS	CREE / LUMINUS	CREE / LUMINUS
Optical	Reflector	Reflector	Reflector
UGR	<25	<25	<25
Fliker<15%	√	√	√
Beam angle	18°/24° / 36°	18°/24° / 36°	18°/24° / 36°
CCT	3000K/4000K/6000K		
Power Factor	0.95	0.95	0.95
Efficiency	80%	80%	80%
Input Voltage	AC85-265V	AC85-265V	AC85-265V
Driver	Eaglerise /Lifud	Eaglerise /Lifud	Eaglerise /Lifud
IP	20	20	20
Material	Aluminium	Aluminium	Aluminium
Lifespan	50000h	50000h	50000h



Model Code	CL-HR-07X2	CL-HR-015X 2	CL-HR-025X2
Power	7X2W	15X2W	25X2W
Size:	185*95*85mm	260*128*110mm	325*168*135mm
Cut out			
Light Source	CREE / LUMINUS	CREE / LUMINUS	CREE / LUMINUS
Optical	Reflector	Reflector	Reflector
UGR	<25	<25	<25
Fliker<15%	√	√	√
Beam angle	18°/24° / 36°	18°/24° / 36°	18°/24° / 36°
CCT	3000K/4000K/6000K		
Power Factor	0.95	0.95	0.95
Efficiency	80%	80%	80%
Input Voltage	AC85-265V	AC85-265V	AC85-265V
Driver	Eaglerise /Lifud	Eaglerise /Lifud	Eaglerise /Lifud
IP	20	20	20
Material	Aluminium	Aluminium	Aluminium
Lifespan	50000h	50000h	50000h



Model Code	CL-LY-010	CL-LY-018	CL-LY-030	CL-LY-040
Power	10W	18W	30W	40W
Size:	Φ90*H76mm	Φ108*H96mm	Φ138*H129mm	Φ165*H129mm
Cut out	Φ85mm	Φ95mm	Φ125mm	Φ150mm
Light Source	Luminus / CREE	Luminus / CREE	Luminus / CREE	Luminus / CREE
Optical	Reflector	Reflector	Reflector	Reflector
UGR	<19	<19	<19	<19
Fliker<15%	√	√	√	√
Beam angle	15° / 30°/45°	15° / 30°/45°	15° / 30°/45°	15° / 30°/45°
CCT	3000K/4000K/6000K			
Power Factor	0.95	0.95	0.95	0.95
Efficiency	80%	80%	80%	80%
Input Voltage	AC85-265V	AC85-265V	AC85-265V	AC85-265V
Driver	Eaglerise /Lifud	Eaglerise /Lifud	Eaglerise /Lifud	Eaglerise /Lifud
IP	20	20	20	20
Material	Aluminium	Aluminium	Aluminium	Aluminium
Lifespan	50000h	50000h	50000h	50000h



Model Code	CL-HH-050	CL-HH-010	CL-HH-015
Power	5W	10W	15W
Size:	136.5*34*70mm	269*34*70mm	402*34*70
Cut out	Surface Mounted	Surface Mounted	Surface Mounted
Light Source	CREE /OSRAM	CREE /OSRAM	CREE /OSRAM
Optical	Reflector	Reflector	Reflector
UGR	<25	<25	<25
Fliker<15%	√	√	√
Beam angle	15°/ 30°/45°	15°/ 30°/45°	15°/ 30°/45°
CCT	3000K/4000K/6000K		
Power Factor	0.95	0.95	0.95
Efficiency	80%	80%	80%
Input Voltage	AC85-265V	AC85-265V	AC85-265V
Driver	Eaglerise /Lifud	Eaglerise /Lifud	Eaglerise /Lifud
IP	20	20	20
Material	Aluminium	Aluminium	Aluminium
Lifespan	50000h	50000h	50000h



Model Code	CL-BH0 - 01	CL-BH0 - 04	CL-BH0 - 10	CL-BH0 - 20	CL-BH0 - 30
Power	2W	4W	10W	20W	30W
Size:	35*35*50mm	70*35*50mm	140*35*50mm	275*35*50mm	405*35*50mm
Cut out	35*35mm	70*35mm	140*35mm	275*35mm	405*35mm
Light Source	CREE /OSRAM	CREE /OSRAM	CREE /OSRAM	CREE /OSRAM	CREE /OSRAM
Optical	Reflector	Reflector	Reflector	Reflector	Reflector
UGR	<25	<25	<25	<25	<25
Fliker<15%	√	√	√	√	√
Beam angle	15°/ 30°/45°	15°/ 30°/45°	15°/ 30°/45°	15°/ 30°/45°	15°/ 30°/45°
CCT	3000K/4000K/6000K				
Power Factor	0.95	0.95	0.95	0.95	0.95
Efficiency	80%	80%	80%	80%	80%
Input Voltage	AC85-265V	AC85-265V	AC85-265V	AC85-265V	AC85-265V
Driver	Eaglerise /Lifud	Eaglerise /Lifud	Eaglerise /Lifud	Eaglerise /Lifud	Eaglerise /Lifud
IP	20	20	20	20	20
Material	Aluminium	Aluminium	Aluminium	Aluminium	Aluminium
Lifespan	50000h	50000h	50000h	50000h	50000h



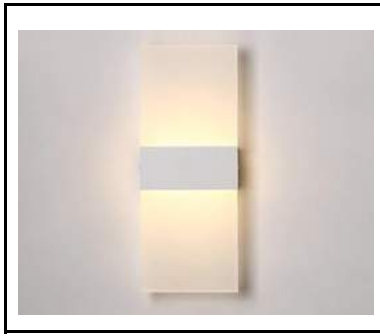
Model Code	CL-HL- 02	CL-HL- 04	CL-HL- 010	CL-HL-020	CL-HL-030
Power	2W	4W	10W	20W	30W
Size:	45*45*50mm	75*45*50mm	145*45*50mm	280*45*50mm	410*45*50mm
Cut out	35*35mm	65*35mm	135*35mm	270*35mm	400*35mm
Light Source	CREE /OSRAM	CREE /OSRAM	CREE /OSRAM	CREE /OSRAM	CREE /OSRAM
Optical	Reflector	Reflector	Reflector	Reflector	Reflector
UGR	<25	<25	<25	<25	<25
Fliker<15%	√	√	√	√	√
Beam angle	15°/ 30°/45°	15°/ 30°/45°	15°/ 30°/45°	15°/ 30°/45°	15°/ 30°/45°
CCT	3000K/4000K/6000K				
Power Factor	0.95	0.95	0.95	0.95	0.95
Efficiency	80%	80%	80%	80%	80%
Input Voltage	AC85-265V	AC85-265V	AC85-265V	AC85-265V	AC85-265V
Driver	Eaglerise /Lifud	Eaglerise /Lifud	Eaglerise /Lifud	Eaglerise /Lifud	Eaglerise /Lifud
IP	20	20	20	20	20
Material	Aluminium	Aluminium	Aluminium	Aluminium	Aluminium
Lifespan	50000h	50000h	50000h	50000h	50000h



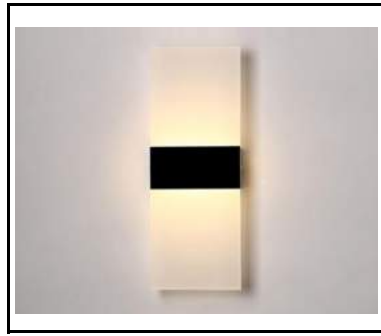
Model Code	CL-XT - 10	CL-XT - 20	CL-XT - 30
Power	10W	20W	30W
Size:	147*45*50mm	279*45*50mm	411*45*50mm
Cut out	139*37mm	272*45mm	403*37mm
Light Source	CREE /OSRAM	CREE /OSRAM	CREE /OSRAM
Optical	Reflector	Reflector	Reflector
UGR	<25	<25	<25
Fliker<15%	√	√	√
Beam angle	30°	30°	30°
CCT	3000K/4000K/6000K		
Power Factor	0.95	0.95	0.95
Efficiency	80%	80%	80%
Input Voltage	AC85-265V	AC85-265V	AC85-265V
Driver	Eaglerise /Lifud	Eaglerise /Lifud	Eaglerise /Lifud
IP	20	20	20
Material	Aluminium	Aluminium	Aluminium
Lifespan	50000h	50000h	50000h



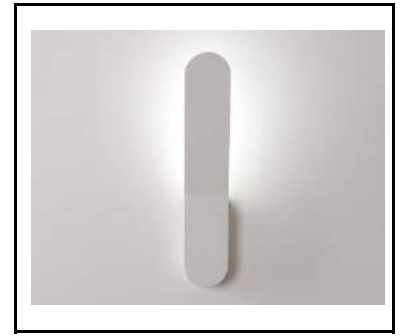




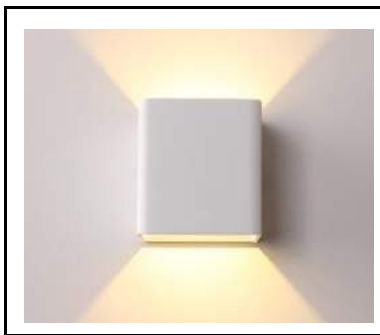
Item No.:201 WH
Size:290*110*50mm
IP:20



Item No.:201 BK
Size:290*110*50mm
IP:20



Item No.: 202 WH
Size:320*60*85mm
IP:20



Item No.:203 WH
Size:100*100*100mm
IP:20



Item No.:203 BK
Size:100*100*100mm
IP:20



Item No.:202 BK
Size:320*60*85mm
IP:20



Item No.:204
Size:260*200*80mm
IP:20



Item No.:205
Size:240*200*80mm
IP:20



Item No.:206
Size:430*120*120
IP:20



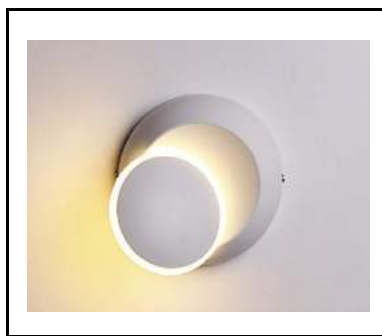
Item No.:207 WH
Size:200*100*100mm
IP:20



Item No.:207 BK
Size:200*100*100mm
IP:20



Item No.:208
Size:300*50mm
IP:20



Item No.:901 WH
Size:Φ140*70mm
IP:20



Item No.:901 BK
Size:Φ140*70mm
IP:20



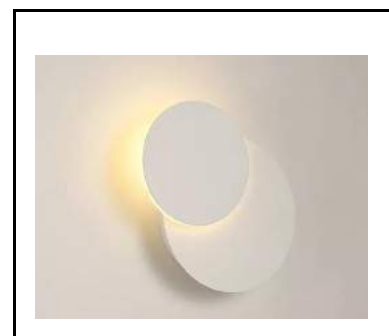
Item No.:902
Size:250*100*100mm
IP:20



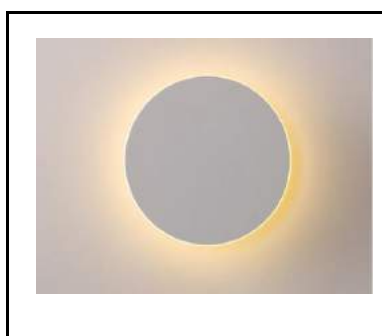
Item No.: 903 WH
Size:100*100mm
IP:20



Item No.:904 BK
Size:Φ180*53mm
IP:20



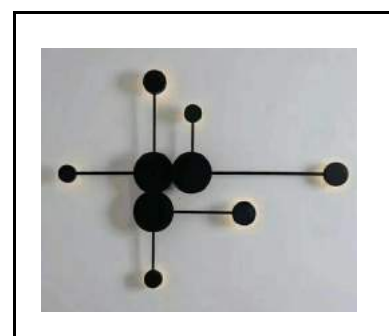
Item No.:904 WH
Size:Φ180*53mm
IP:20



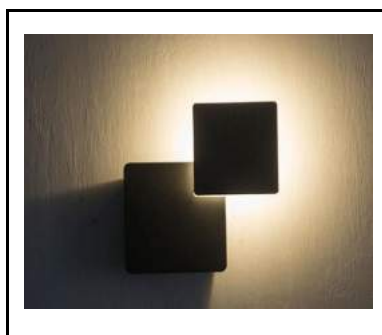
Item No.:905 WH
Size:Φ180mm
IP:20



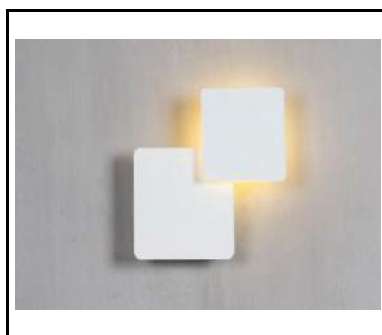
Item No.:906
Size:Φ135*340mm
IP:20



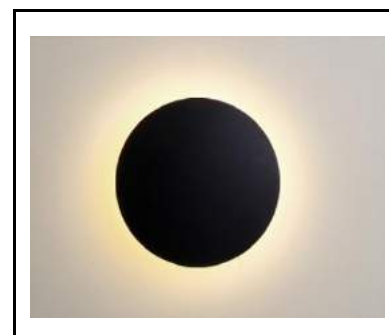
Item No.:910
Size:
IP:20



Item No.:907 BK
Size:180*180mm
IP:20

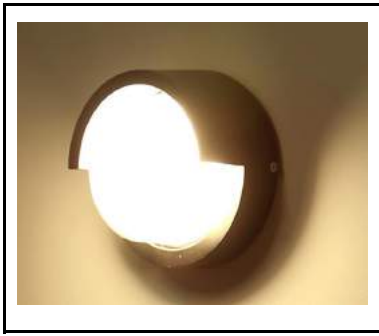


Item No.:907 WH
Size:180*180mm
IP:20



Item No.:905 BK
Size:Φ180mm
IP:20





Item No.:601
Size:Φ160mm
IP:65



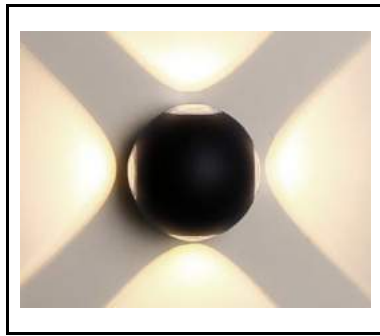
Item No.:602
Size:160*160*190mm
IP:65



Item No.:603
Size:260*120mm
IP:65



Item No.:604 WH
Size:Φ100mm
IP:65



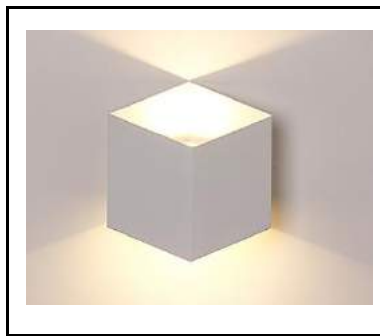
Item No.:604 BK
Size:Φ100mm
IP:65



Item No.:605 WH
Size:200*90*90mm
IP:65



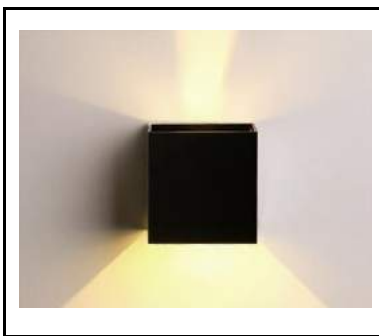
Item No.:606 BK
Size:100*100*100mm
IP:65



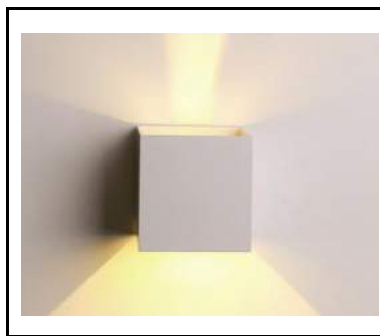
Item No.:606 WH
Size:100*100*100mm
IP:65



Item No.:605 BK
Size:200*90*90mm
IP:65



Item No.:607 BK
Size:100*100*100mm
IP:65

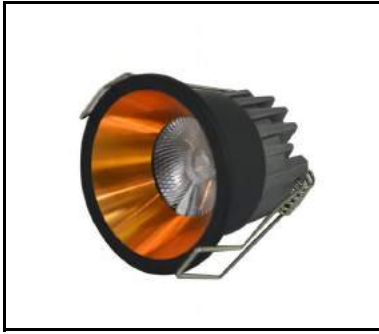


Item No.:607 WH
Size:100*100*100mm
IP:65



Item No.:608
Size:150*200mm
IP:65

MINI SPOT LIGHT



Item No. :CL- S - 015
 Size:Φ50*47mm
 Power: 3W , IP:20



Item No. :CL- S - 016
 Size: Φ50*47mm
 Power: 3W , IP:20



Item No. :CL- S - 017
 Size:Φ50*47mm
 Power: 3W , IP:20



Item No. :CL- S - 018
 Size:Φ50*45mm
 Power: 3W , IP:20



Item No. : CL-T - 019
 Size:50*50*44mm
 Power: 2W , IP:20



Item No. :CL- H - H 03
 Size:Φ60*H85mm
 Power: 5W , IP:20



Item No. : T - 012
 Size:Φ44*43mm
 Power: 3W , IP:20



Item No. : CL-R - 09W H
 Size: Φ48.5*31.5mm
 Power: 3W , IP:20



Item No. :CL- R - R 12B
 Size: Φ44*32.5mm
 Power: 3W , IP:20



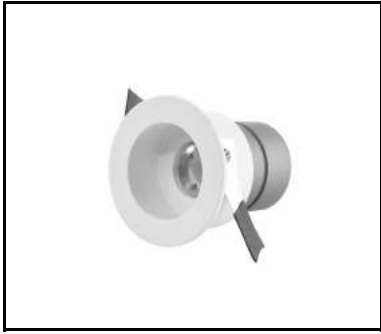
Item No. : CL-S - S 09
 Size:45*45*28.5mm
 Power: 3W , IP:20



Item No.: CL-S-S10
 Size:100*100*100mm
 Power: 2.5W , IP:20



Item No. :CL-GF - 05
 Size:Φ60*50mm
 Power: 5W , IP:20



Item No. :CL- M 201
Size:Φ40mm
Power: 3W , IP:20



Item No. :CL- M 202
Size:Φ40mm
Power: 3W , IP:20



Item No. :CL- M 203
Size:Φ40mm
Power: 3W , IP:20



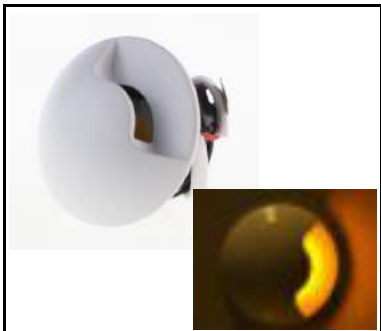
Item No. : CL- EK - M03
Size:Φ38*35mm
Power: 1W , IP:20



Item No. :CL- GH - 03
Size:Φ 50*35mm
Power: 3W , IP:20



Item No. :CL-GH - 05
Size:Φ50*50mm
Power: 3W , IP:20



Item No. :CL- T - T001
Size:Φ51.5*43mm
Power: 3W , IP:20



Item No. :CL- T - T002
Size:1 Φ51.5*43mm
Power: 3W , IP:20



Item No. :CL- CN - A 01
Size:Φ38*H11mm
Power: 1W , IP:20



Item No. :CL-CN - L03
Size:Φ69*H14mm
Power: 3W , IP:20



Item No. :CL- 607 WH
Size:100*100*100mm
Power: 3W , IP:20



Item No. :CL-CN - A 03
Size:Φ69*H14mm
Power: 3W , IP:20



Item No.:B07
Size:Φ54*70mm
Power: 7W



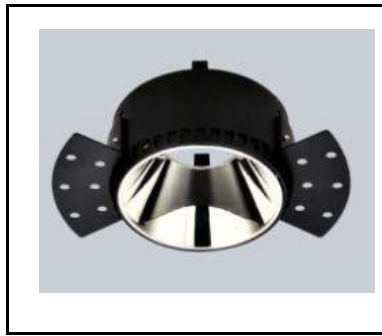
Item No.:B12
Size:Φ59*86mm
Power: 12W



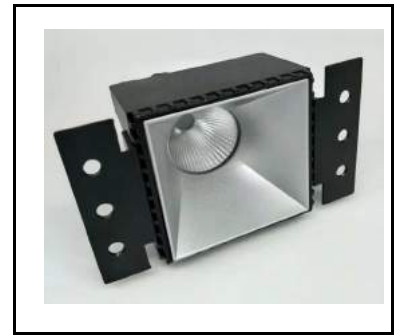
Item No.:C10
Size:Φ48*80mm
Power: 9W



Item No.:D12
Size:Φ61*85mm
Power: 12W



Item No.:1822
Size: Φ91mm
Fix : Led Mould , MR 16, GU 10



Item No.:1824
Size:84*75mm
Fix : Led Mould , MR 16, GU 10



Item No.:1830
Size: Φ80mm
Fix : Led Mould , MR 16, GU 10



Item No.:1833
Size: Φ80mm
Fix : Led Mould , MR 16, GU 10



Item No.:1834
Size:Φ80mm
Fix : Led Mould , MR 16, GU 10



Item No.:1837
Size:82*82mm
Fix : Led Mould , MR 16, GU 10



Item No.:1851
Size:Φ95mm
Fix : Led Mould , MR 16, GU 10



Item No.:1852
Size:95*95mm
Fix : Led Mould , MR 16, GU 10



CLARION LIGHTS

CERTIFICATE of Conformity
IEC Council Directive 2004/108/EC
Electromagnetic Compatibility

TÜV Rheinland

Registration No.:
Report No.:

Product: **LED-Lampe**
LED-Strip

Identification: **2012121-08-710801 010401 IP**
Verstärkte absolute Emission: 0.1 A, 0.2 V, 1.0 A, 2.0 V, 10 A, 20 V, 100 A, 200 V, 1.0 A, 2.0 V, 10 A, 20 V, 100 A, 200 V, 1.0 A, 2.0 V, 10 A, 20 V, 100 A, 200 V

Tested acc. to: **EN 55024:2012**
EN 55025:2010
EN 61010-1:2010 (Art. 4)
EN 61010-2-1:2012

This certificate of conformity is based on an evaluation of a sample of the above mentioned product. Technical Report and documentation are at the License holder's disposal. This is to certify that the tested sample is in conformity with all provisions of Annex I of Council Directive 2004/108/EC. This certificate does not imply assessment of the production of the product and does not secure the use of a TÜV Rheinland mark of conformity. The holder of the certificate is authorized to use the certificate in connection with the EC declaration of conformity in accordance with the a.m. Directive.

Date: **18.02.2013**

TÜV Rheinland LGA Products GmbH - Tillystraße 2 | **Nürnberg**

CE The CE marking may only be used if all relevant and effective EC Directives are complied with. **CE**

Zertifikat Certificate

TÜV Rheinland

Arbeits-Nr./Certificate No.: **12.02.2013**

Bezeichnung/Designation: **LED-Strahler (LED-Strip)**

Produktions-Fabrik/Manufacturer: **LED-Strahler (LED-Strip)**

Normen/Normen (Standard/Standards)	Ergebnisse/Results	Ergebnisse/Results
EMV-EMC	EMV-EMC	EMV-EMC
EN 55024:2012	EN 55024:2012	EN 55024:2012
EN 55025:2010	EN 55025:2010	EN 55025:2010
EN 61010-1:2010	EN 61010-1:2010	EN 61010-1:2010
EN 61010-2-1:2012	EN 61010-2-1:2012	EN 61010-2-1:2012

Technische Daten (Technical Data): **12.02.2013**

Hersteller (Manufacturer): **LED-Strahler (LED-Strip)**

Normen/Normen (Standard/Standards): **EN 55024:2012, EN 55025:2010, EN 61010-1:2010, EN 61010-2-1:2012**

Ergebnisse/Results: **EN 55024:2012, EN 55025:2010, EN 61010-1:2010, EN 61010-2-1:2012**

Ergebnis/Result: **EN 55024:2012, EN 55025:2010, EN 61010-1:2010, EN 61010-2-1:2012**

Arbeits-Nr./Certificate No.: **12.02.2013**

Bezeichnung/Designation: **LED-Strahler (LED-Strip)**

Produktions-Fabrik/Manufacturer: **LED-Strahler (LED-Strip)**

Hersteller (Manufacturer): **LED-Strahler (LED-Strip)**

Normen/Normen (Standard/Standards): **EN 55024:2012, EN 55025:2010, EN 61010-1:2010, EN 61010-2-1:2012**

Ergebnisse/Results: **EN 55024:2012, EN 55025:2010, EN 61010-1:2010, EN 61010-2-1:2012**

Ergebnis/Result: **EN 55024:2012, EN 55025:2010, EN 61010-1:2010, EN 61010-2-1:2012**

Arbeits-Nr./Certificate No.: **12.02.2013**

Bezeichnung/Designation: **LED-Strahler (LED-Strip)**

Produktions-Fabrik/Manufacturer: **LED-Strahler (LED-Strip)**

Hersteller (Manufacturer): **LED-Strahler (LED-Strip)**

Normen/Normen (Standard/Standards): **EN 55024:2012, EN 55025:2010, EN 61010-1:2010, EN 61010-2-1:2012**

Ergebnisse/Results: **EN 55024:2012, EN 55025:2010, EN 61010-1:2010, EN 61010-2-1:2012**

Ergebnis/Result: **EN 55024:2012, EN 55025:2010, EN 61010-1:2010, EN 61010-2-1:2012**

ZEICHENGENÜMGANGS-AUFWIS
CERTIFICATE OF MARKING USAGE AUTHORIZATION

TÜV Rheinland

Arbeits-Nr./Certificate No.: **12.02.2013**

Bezeichnung/Designation: **LED-Strahler (LED-Strip)**

Produktions-Fabrik/Manufacturer: **LED-Strahler (LED-Strip)**

Hersteller (Manufacturer): **LED-Strahler (LED-Strip)**

Normen/Normen (Standard/Standards): **EN 55024:2012, EN 55025:2010, EN 61010-1:2010, EN 61010-2-1:2012**

Ergebnisse/Results: **EN 55024:2012, EN 55025:2010, EN 61010-1:2010, EN 61010-2-1:2012**

Ergebnis/Result: **EN 55024:2012, EN 55025:2010, EN 61010-1:2010, EN 61010-2-1:2012**

Arbeits-Nr./Certificate No.: **12.02.2013**

Bezeichnung/Designation: **LED-Strahler (LED-Strip)**

Produktions-Fabrik/Manufacturer: **LED-Strahler (LED-Strip)**

Hersteller (Manufacturer): **LED-Strahler (LED-Strip)**

Normen/Normen (Standard/Standards): **EN 55024:2012, EN 55025:2010, EN 61010-1:2010, EN 61010-2-1:2012**

Ergebnisse/Results: **EN 55024:2012, EN 55025:2010, EN 61010-1:2010, EN 61010-2-1:2012**

Ergebnis/Result: **EN 55024:2012, EN 55025:2010, EN 61010-1:2010, EN 61010-2-1:2012**

eurofins Product Service

TÜV Rheinland

SICHERHEITSZEICHEN-GENEHMIGUNGS-ZERTIFIKAT
SAFETY MARK APPROVAL CERTIFICATE

Arbeits-Nr./Certificate No.: **12.02.2013**

Bezeichnung/Designation: **LED-Strahler (LED-Strip)**

Produktions-Fabrik/Manufacturer: **LED-Strahler (LED-Strip)**

Hersteller (Manufacturer): **LED-Strahler (LED-Strip)**

Normen/Normen (Standard/Standards): **EN 55024:2012, EN 55025:2010, EN 61010-1:2010, EN 61010-2-1:2012**

Ergebnisse/Results: **EN 55024:2012, EN 55025:2010, EN 61010-1:2010, EN 61010-2-1:2012**

Ergebnis/Result: **EN 55024:2012, EN 55025:2010, EN 61010-1:2010, EN 61010-2-1:2012**

Arbeits-Nr./Certificate No.: **12.02.2013**

Bezeichnung/Designation: **LED-Strahler (LED-Strip)**

Produktions-Fabrik/Manufacturer: **LED-Strahler (LED-Strip)**

Hersteller (Manufacturer): **LED-Strahler (LED-Strip)**

Normen/Normen (Standard/Standards): **EN 55024:2012, EN 55025:2010, EN 61010-1:2010, EN 61010-2-1:2012**

Ergebnisse/Results: **EN 55024:2012, EN 55025:2010, EN 61010-1:2010, EN 61010-2-1:2012**

Ergebnis/Result: **EN 55024:2012, EN 55025:2010, EN 61010-1:2010, EN 61010-2-1:2012**

Zertifikat Certificate

TÜV Rheinland

Arbeits-Nr./Certificate No.: **12.02.2013**

Bezeichnung/Designation: **LED-Strahler (LED-Strip)**

Produktions-Fabrik/Manufacturer: **LED-Strahler (LED-Strip)**

Hersteller (Manufacturer): **LED-Strahler (LED-Strip)**

Normen/Normen (Standard/Standards): **EN 55024:2012, EN 55025:2010, EN 61010-1:2010, EN 61010-2-1:2012**

Ergebnisse/Results: **EN 55024:2012, EN 55025:2010, EN 61010-1:2010, EN 61010-2-1:2012**

Ergebnis/Result: **EN 55024:2012, EN 55025:2010, EN 61010-1:2010, EN 61010-2-1:2012**

Arbeits-Nr./Certificate No.: **12.02.2013**

Bezeichnung/Designation: **LED-Strahler (LED-Strip)**

Produktions-Fabrik/Manufacturer: **LED-Strahler (LED-Strip)**

Hersteller (Manufacturer): **LED-Strahler (LED-Strip)**

Normen/Normen (Standard/Standards): **EN 55024:2012, EN 55025:2010, EN 61010-1:2010, EN 61010-2-1:2012**

Ergebnisse/Results: **EN 55024:2012, EN 55025:2010, EN 61010-1:2010, EN 61010-2-1:2012**

Ergebnis/Result: **EN 55024:2012, EN 55025:2010, EN 61010-1:2010, EN 61010-2-1:2012**

CERTIFICATE of Conformity
Low Voltage Directive 2006/95/EC

TÜV Rheinland

Registration No.: **12.02.2013**

Report No.: **12.02.2013**

Product: **LED-Lampe**
LED-Strip

Identification: **2012121-08-710801 010401 IP**
Verstärkte absolute Emission: 0.1 A, 0.2 V, 1.0 A, 2.0 V, 10 A, 20 V, 100 A, 200 V, 1.0 A, 2.0 V, 10 A, 20 V, 100 A, 200 V

Tested acc. to: **EN 60950-1:2006**
EN 60950-2:2006
EN 61010-1:2010
EN 61010-2-1:2012

This certificate of conformity is based on an evaluation of a sample of the above mentioned product. Technical Report and documentation are at the License holder's disposal. This is to certify that the tested sample is in conformity with all provisions of Annex I of Council Directive 2006/95/EC. This certificate does not imply assessment of the production of the product and does not secure the use of a TÜV Rheinland mark of conformity. The holder of the certificate is authorized to use the certificate in connection with the CE declaration of conformity according to Annex II of the Directive.

Date: **18.02.2013**

TÜV Rheinland LGA Products GmbH - Tillystraße 2 | **Nürnberg**

CE The CE marking may only be used if all relevant and effective EC Directives are complied with. **CE**